

# HORIZONTAL MULTI-STAGE CENTRIFUGAL PUMP

**Zirantec**



[www.zirantec.com](http://www.zirantec.com)



FABBRICA ITALIANA POMPE SOMMERSIBILI S.r.l

# Zirantec



ZIRANTEC products are manufactured by well qualified and experienced Italian Pump Engineers in state of the art manufacturing facilities in Italy

## CERTIFICATION



ZIRANTEC Pumps & Motors are from the house of **Fabbrica Italiana Pompe Sommergibili S.r.l.** a four decades old Italian company of high repute, offering complete waste water solutions around the world. Its current product portfolio includes world class Waste Water Pumps of various types, Multistage Centrifugal Pressure Booster Pumps, Borehole Submersible Pumps & Motors, End Suction Centrifugal Pumps, Industrial Pumps for various applications.

Founded as early as 1978 in Rozzano, South of Milan, Italy by Mr.Orfeo Agostini, the company has witnessed steady growth and market expansion continuously ever since. In these four decades of existence, the company has carved a niche for itself in the waste water and sewage pump market in Italy and other countries. Its products are employed in Municipal, Domestic and Industrial applications. The Company is well known for the unique and robust designs of its products and their workmanship. Due to its superior quality ZIRANTEC products are also exported to many European, African and Asian countries.

ZIRANTEC's products are conceived, designed and manufactured by well qualified and experienced Italian Pump Engineers in state of the art manufacturing facilities in Italy. These manufacturing plants are accredited with UNI EN ISO 9001:2008 Certification.

Over the years, the company has metamorphosed and ventured into manufacturing of high quality water pumps, for domestic, agricultural and industrial applications. In the due process, Fabbrica Italiana Pompe Sommergibili S.r.l. has shed its image of an exclusive sewage and waste water pumps manufacturer to a complete pump production company with an ability to manufacture diverse kinds of pumps for different applications.





# C O N T E N T S

## HORIZONTAL MULTI-STAGE CENTRIFUGAL PUMPS

FHMW SERIES	PageNo.
CONSTRUCTION, FEATURES	5
APPLICATION, OPERATION LIMITS & MOC	6
CROSS SECTIONAL DRAWING	7 - 9
PERFORMANCE CURVES & TABLES	10 - 39
OVERALL DIMENSION DRAWING	40
OVERALL DIMENSIONS	41 - 47
OVERALL DIMENSION DRAWING - HIGH PRESSURE	48
OVERALL DIMENSIONS - HIGH PRESSURE	49
INLET AND OUTLET FLANGES DIMENSION	50 - 51

**HORIZONTAL MULTI-STAGE CENTRIFUGAL PUMPS**





## GENERAL INFORMATION

### HORIZONTAL MULTISTAGE PUMPS

ZIRANTEC Horizontal multi-stage centrifugal pumps are engineered to perfection with innovative design and stringent quality control for trouble free operation. These pumps are robust in construction and tested to a high standard of excellence. High grade materials are used to make these pumps durable, efficient and easy to maintain and all rotating parts are statically & dynamically balanced shaft is made of high quality steel, precision ground of ample size for transmitting the rated horsepower.

These Horizontal multi-stage centrifugal pumps are of Single Suction, non-self priming type. The impellers are of radial flow design and are balanced to handle hydraulic axial thrust. Pump shaft is supplied by roller contact or sliding bearings, and balancing plate is provided to withstand axial force and avoid excessive abrasion of rotating parts. Pumps are available with oil lubricating bearings for high head operation & high temperature liquids from 80°C to 160°C. Based on application directions of the inlet & outlet ports can be fixed upward or right or left side. These pumps are also available with multi outlets for specific applications.

Generally these pumps are used to transfer clear water without solid particles and are also used to transfer oil, corrosive & abrasive chemicals, liquids without any solid particles. For which suitable materials of construction and sealing type to be chosen.

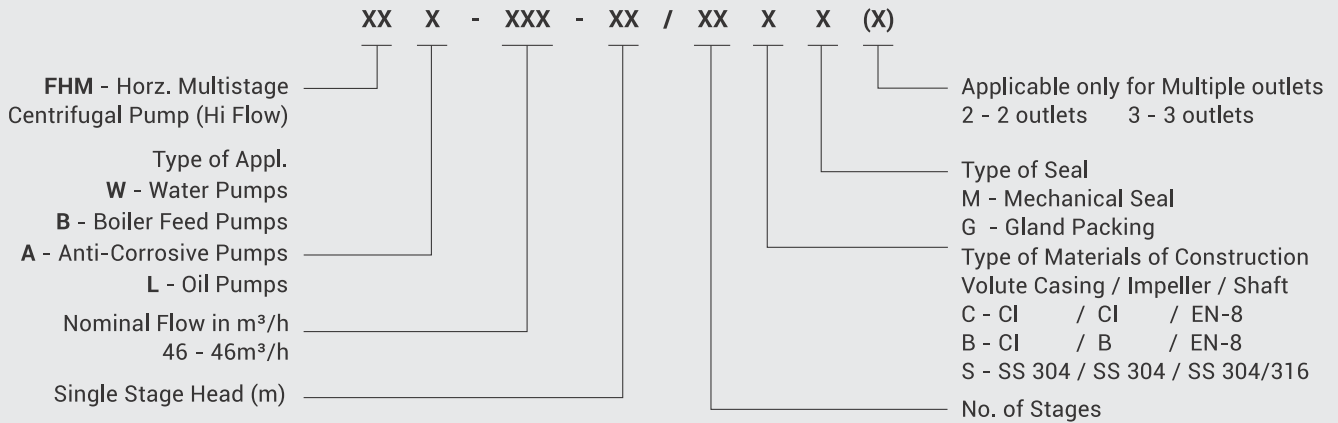
These pumps can be coupled either with electric motors or IC engines.

#### FEATURES :

- Dynamically balanced rotating parts
- Rigid Constructions
- High operating efficiency
- Heavy duty bearings ensure long life
- Available with different MOC & wide range for various applications
- Available both in mechanical seal and soft packed stuffing box design
- Available with multi outlets
- These pumps are supplied with Roller bearings with grease lubrication and Sliding bearing with thin oil lubrication is used for high head and high temperature liquid applications.

In view of continuous developments, the information / descriptions / specifications / illustrations are subject to change without notice.

## MODEL IDENTIFICATION CODE



FHWM - 280 - 43/3M : 3stage, 280m<sup>3</sup>/h, 43m per stage, Horz. Multistage Pump for clear water with M. Seal

## APPLICATIONS

- General Water supply
- Drinking water transfer
- Boiler feed
- Pressure Boosting
- Irrigation
- Hot & cold water circulation
- HVAC
- Fire fighting
- Power Plants
- Dewatering
- Various industrial applications

## OPERATION LIMITS

Outlet Size range	DN 40 to DN 300 mm
Flow Range	up to 850 m <sup>3</sup> /hr
<b>Head Range</b>	
FHWM, FHMA & FHML	up to 816 m
FHMB	up to 1110 m
Speed	1450 & 2900 rpm
<b>Operating Temperature</b>	
FHWM	< 80 Deg C
FHMA & FHML	- 20 to 105 Deg C
FHMB	- 20 to 160 Deg C

## MATERIAL OF CONSTRUCTION

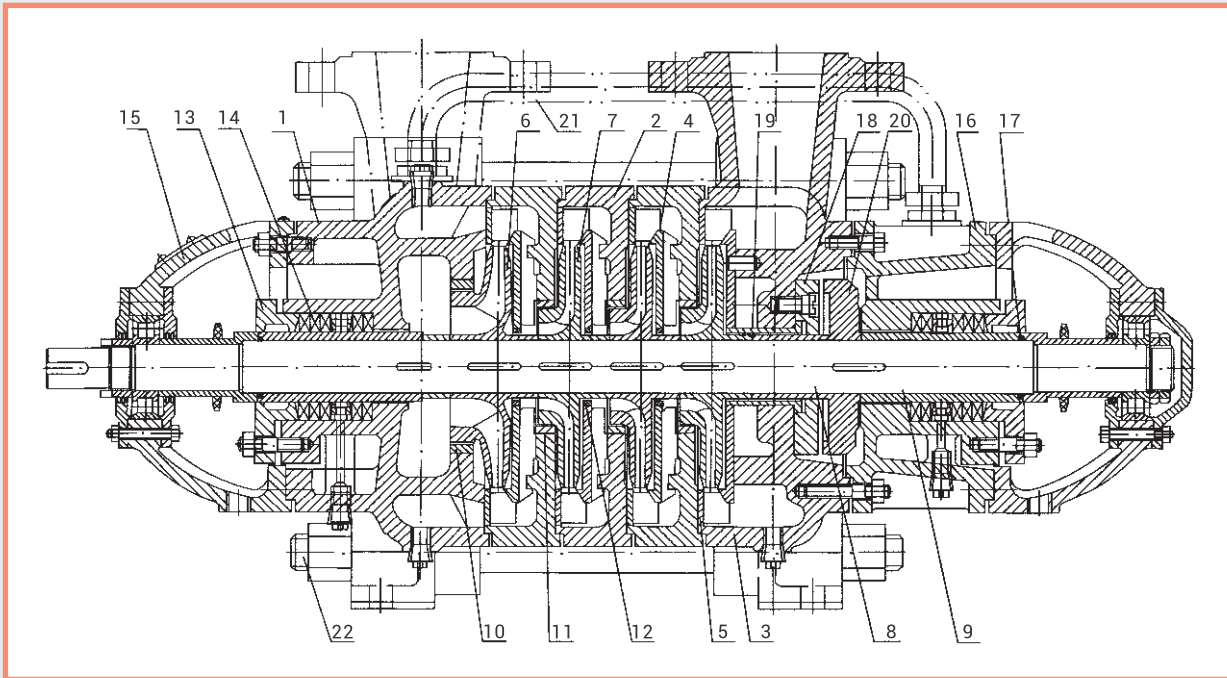
Pump / Stage Casing	Cast Iron / Cast SS / Duplex Steel
Impeller	Cast Iron/ Cast SS / Bronze / Phosphor Bronze / Chrome Steel / Duplex Steel
Casing Wear ring	Cast Iron / Bronze / Steel
Shaft	Carbon Steel / Stainless Steel
Shaft Sleeve	Stainless Steel
Connecting Rods	Carbon Steel / SS 420

In view of continuous developments, the information / descriptions / specifications / illustrations are subject to change without notice.

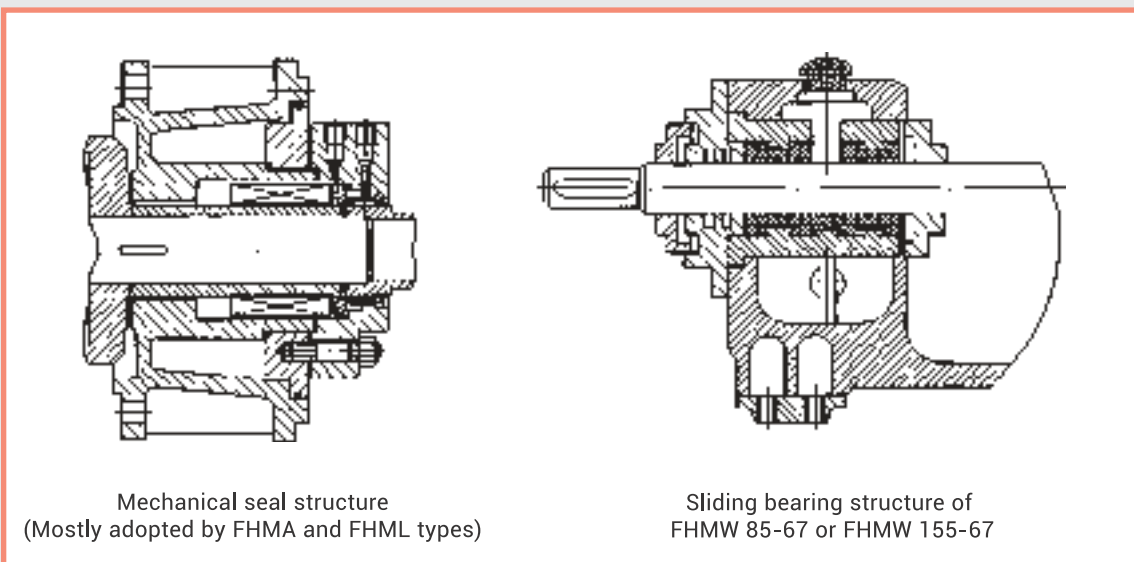


## CROSS SECTIONAL DRAWING

FHM (W, A & L)



No	Name	No	Name	No	Name
1	Water Inlet Section	9	Bushing	17	O-ring
2	Middle Section	10	First Stage Sealing Ring	18	Balancing Ring
3	Water Outlet Section	11	Sealing Ring	19	Balancing Ring Bushing
4	Guide Vane	12	Guide Vane Bushing	20	Balance Disc
5	End Guide Vane	13	Flange Gland	21	Balance Water Pipe Part
6	First Stage Impeller	14	Packing	22	Tension Bolt
7	Final Stage Impeller	15	Bearing Part		
8	Shaft	16	Tail Hood		



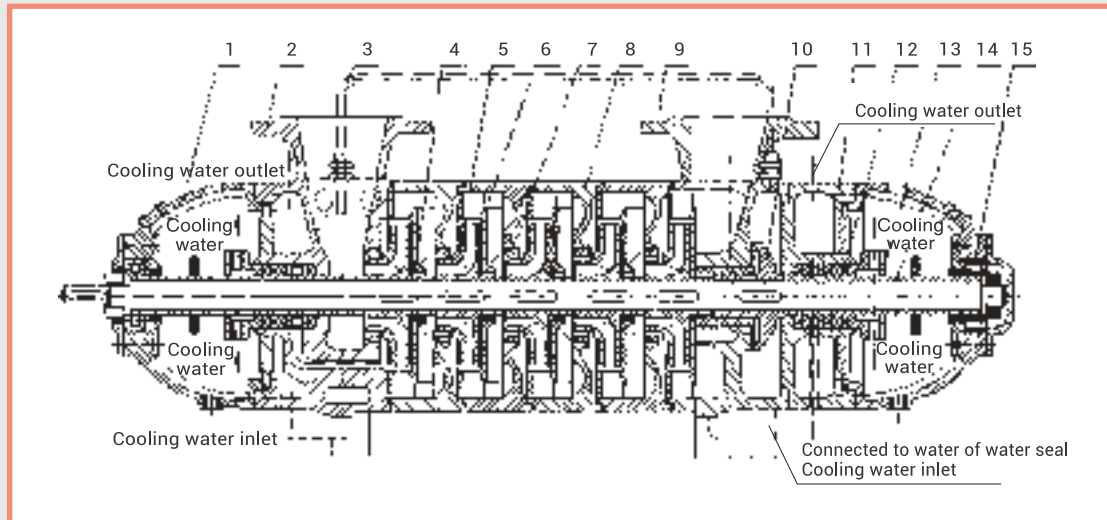
Mechanical seal structure  
(Mostly adopted by FHMA and FHML types)

Sliding bearing structure of  
FHMW 85-67 or FHMW 155-67

In view of continuous developments, the information / descriptions / specifications / illustrations are subject to change without notice.

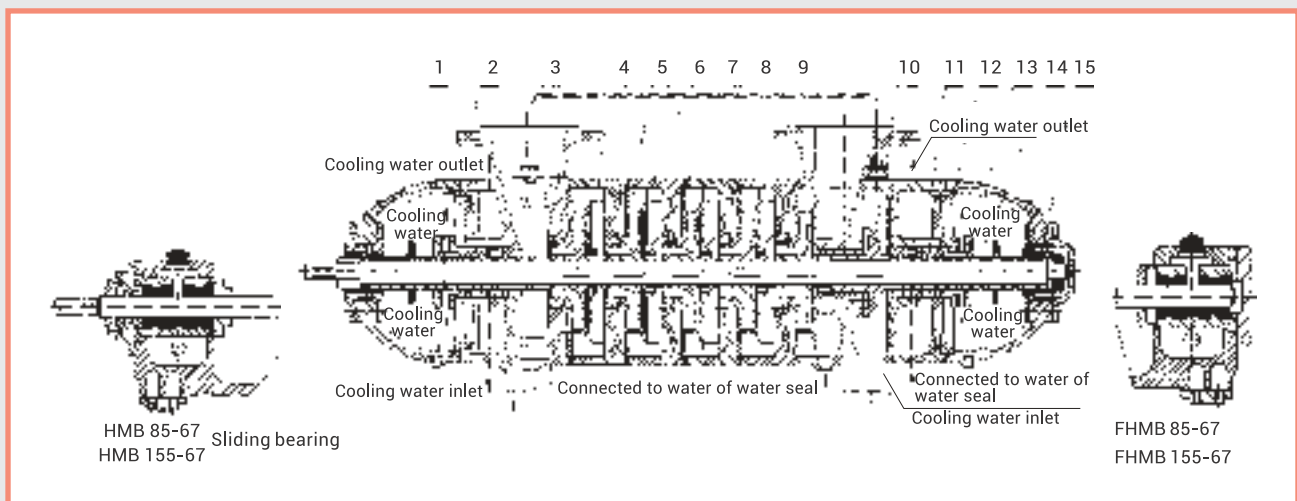
## CROSS SECTIONAL DRAWING - FHMB PUMP (LOW/MEDIUM PRESSURE) - PACKING SEAL

WATER OF WATER SEAL FROM THE IMPELLER OUTLET OF THE FIRST STAGE



No	Name	No	Name	No	Name
1	Bearing Body	6	Guide Vane	11	Tail Hood
2	Water Inlet Section	7	Sealing Ring	12	Packing Seal Part
3	Balance Water Pipe	8	Middle Section	13	Water-cooling Flange Gland
4	Guide Vane Bushing	9	Water Inlet Section	14	O-ring
5	Impeller	10	Balance Disc	15	Bearing Part

WATER OF WATER SEAL FROM EXTERNAL SUPPLY

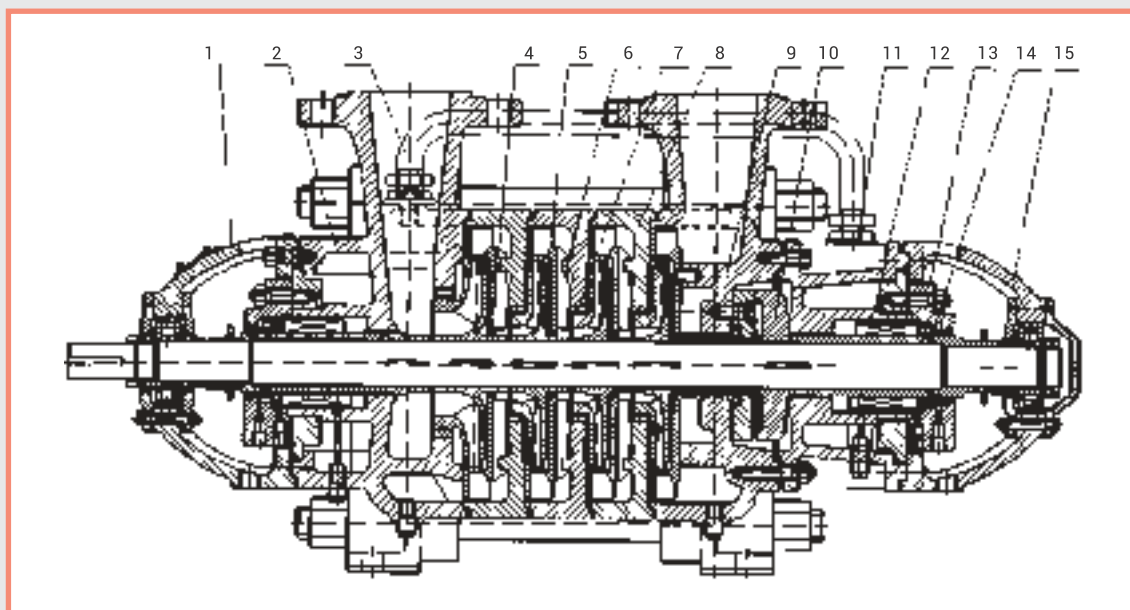


No	Name	No	Name	No	Name
1	Bearing Body	6	Guide Vane	11	Tail Hood
2	Suction Section	7	Sealing Ring	12	Packing Seal Part
3	Balance Water Pipe	8	Middle Section	13	Water-cooling Flange Gland
4	Diffuser Sleeve	9	Water Inlet Section	14	O-ring
5	Impeller	10	Balance Disc	15	Bearing Part

In view of continuous developments, the information / descriptions / specifications / illustrations are subject to change without notice.

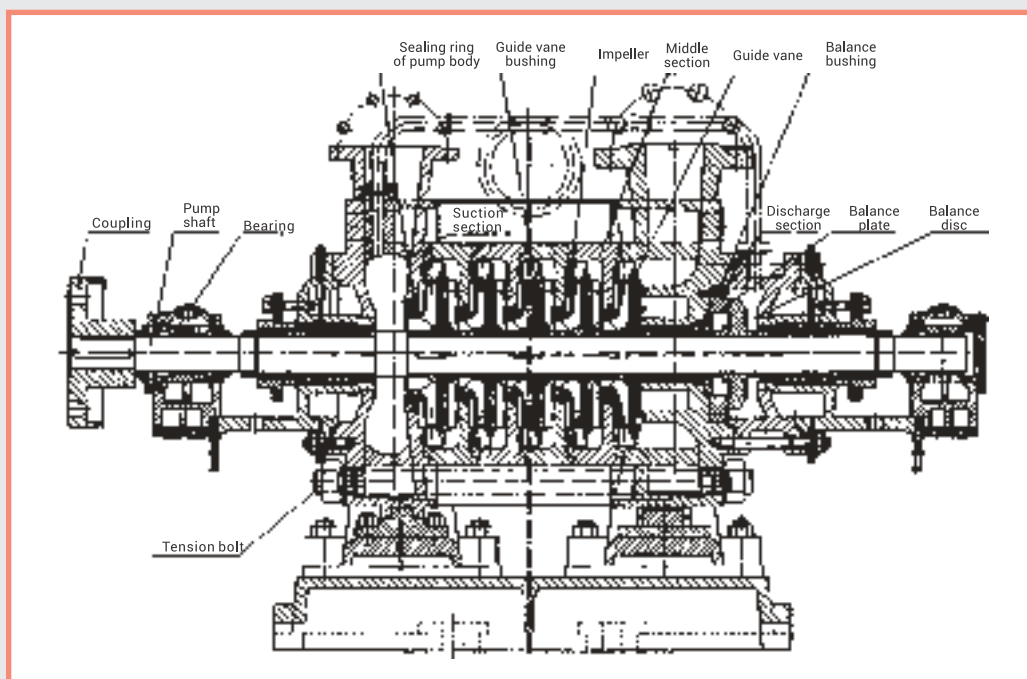
## CROSS SECTIONAL DRAWING - FHMB PUMP (LOW/MEDIUM PRESSURE)

### MECHANICAL SEAL



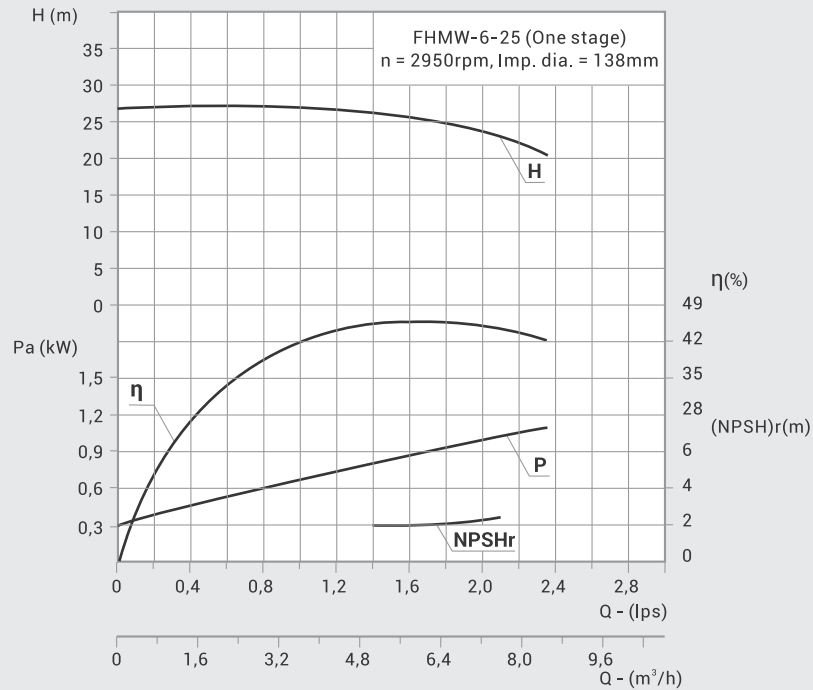
No	Name	No	Name	No	Name
1	Bearing Body	6	Guide Vane	11	Tail Hood
2	Water Inlet Section	7	Sealing Ring	12	Mechanical seal part
3	Balance Pipe	8	Middle Section	13	Gland Of Water-cooling Mechanical Seal
4	Guide Vane Bushing	9	Water Outlet Section	14	O-ring
5	Impeller	10	Balance Disc	15	Bearing Part

## CROSS SECTIONAL DRAWING - FHMB PUMP (HIGH PRESSURE)



In view of continuous developments, the information / descriptions / specifications / illustrations are subject to change without notice.

## PERFORMANCE CURVE - FHMW-6-25



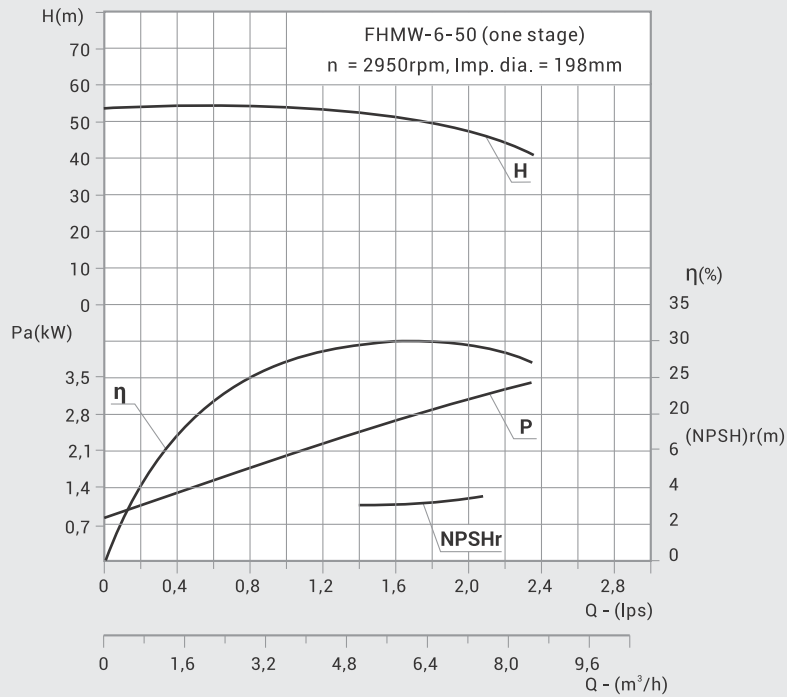
## PERFORMANCE TABLE - FHMW-6-25

Stage	Q Flow		H Head (m)	n Speed (rpm)	η Eff. (%)	N Shaft Power (kW)	Motor		(NPSH)r (m)	D Impeller Diameter (mm)
	(m³/h)	(L/s)					Power (kW)	Frame Size - Pole		
2	3,75	1,04	51	2950	35	1,49	3	100L-2	2,0	Ø138
	6,3	1,75	50		46,5	1,84			2,0	
	7,5	2,08	49		48	2,08			2,5	
3	3,75	1,04	76,5		35	2,23	5,5	132S1-2	2,0	
	6,3	1,75	75		46,5	2,77			2,0	
	7,5	2,08	73,5		48	3,12			2,5	
4	3,75	1,04	102		35	2,98	7,5	132S2-2	2,0	
	6,3	1,75	100		46,5	3,69			2,0	
	7,5	2,08	98		48	4,16			2,5	
5	3,75	1,04	127,5		35	3,73	7,5	132S2-2	2,0	
	6,3	1,75	125		46,5	4,61			2,0	
	7,5	2,08	122,5		48	5,20			2,5	
6	3,75	1,04	153	35	4,47	11	160M1-2	2,0		
	6,3	1,75	150	46,5	5,53			2,0		
	7,5	2,08	147	48	6,24			2,5		
7	3,75	1,04	178,5	35	5,22	11	160M1-2	2,0		
	6,3	1,75	175	46,5	6,45			2,0		
	7,5	2,08	171,5	48	7,28			2,5		
8	3,75	1,04	204	35	5,96	15	160M2-2	2,0		
	6,3	1,75	200	46,5	7,37			2,0		
	7,5	2,08	196	48	8,32			2,5		
9	3,75	1,04	229,5	35	6,71	15	160M2-2	2,0		
	6,3	1,75	225	46,5	8,29			2,0		
	7,5	2,08	220,5	48	9,36			2,5		
10	3,75	1,04	255	35	7,45	18,5	160L-2	2,0		
	6,3	1,75	250	46,5	9,21			2,0		
	7,5	2,08	245	48	10,40			2,5		
11	3,75	1,04	280,5	35	8,20	18,5	160L-2	2,0		
	6,3	1,75	275	46,5	10,13			2,0		
	7,5	2,08	269,5	48	11,44			2,5		
12	3,75	1,04	306	35	8,94	18,5	160L-2	2,0		
	6,3	1,75	300	46,5	11,05			2,0		
	7,5	2,08	294	48	12,48			2,5		

\* The 3rd digit of model name 'W' indicates water application. This digit can be changed suitable for other application (Refer the model identification code).  
In view of continuous developments, the information / descriptions / specifications / illustrations are subject to change without notice.



## PERFORMANCE CURVE - FHMW-6-50

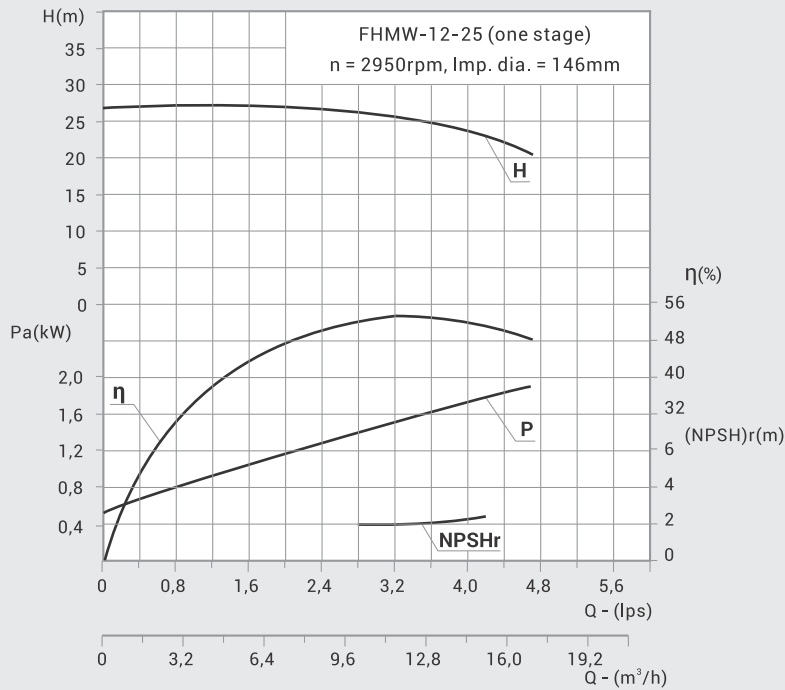


## PERFORMANCE TABLE - FHMW-6-50

Stage	Q Flow		H Head (m)	n Speed (rpm)	η Eff. (%)	N Shaft Power (kW)	Motor		(NPSH) <sub>r</sub> (m)	D Impeller Diameter (mm)
	(m³/h)	(L/s)					Power (kW)	Frame Size - Pole		
2	3,75	1,04	104	2950	28	3,79	11	160M1-2	3,0	Ø198
	6,3	1,75	100		30	5,72			3,0	
	7,5	2,08	96		29	6,76			3,5	
3	3,75	1,04	106		28	5,69	15	160M2-2	3,0	
	6,3	1,75	150		30	8,58			3,0	
	7,5	2,08	144		29	10,1			3,5	
4	3,75	1,04	208		28	7,58	18,5	160L-2	3,0	
	6,3	1,75	200		30	11,4			3,0	
	7,5	2,08	192		29	13,5			3,5	
5	3,75	1,04	260		28	9,48	22	180M-2	3,0	
	6,3	1,75	250		30	14,3			3,0	
	7,5	2,08	240		29	16,9			3,5	
6	3,75	1,04	312	28	11,4	30	200L1-2	3,0		
	6,3	1,75	300	30	17,2			3,0		
	7,5	2,08	288	29	20,3			3,5		
7	3,75	1,04	364	28	13,3	30	200L1-2	3,0		
	6,3	1,75	350	30	20,0			3,0		
	7,5	2,08	336	29	23,7			3,5		
8	3,75	1,04	416	28	15,2	37	200L2-2	3,0		
	6,3	1,75	400	30	22,9			3,0		
	7,5	2,08	384	29	27,0			3,5		
9	3,75	1,04	468	28	17,1	37	200L2-2	3,0		
	6,3	1,75	450	30	25,7			3,0		
	7,5	2,08	432	29	30,4			3,5		
10	3,75	1,04	520	28	19,0	45	225M-2	3,0		
	6,3	1,75	500	30	28,6			3,0		
	7,5	2,08	480	29	33,8			3,5		
11	3,75	1,04	572	28	20,8	45	225M-2	3,0		
	6,3	1,75	550	30	31,4			3,0		
	7,5	2,08	528	29	37,2			3,5		
12	3,75	1,04	624	28	22,7	55	250M-2	3,0		
	6,3	1,75	600	30	34,3			3,0		
	7,5	2,08	576	29	40,6			3,5		

\* The 3rd digit of model name 'W' indicates water application. This digit can be changed suitable for other application (Refer the model identification code).  
In view of continuous developments, the information / descriptions / specifications / illustrations are subject to change without notice.

## PERFORMANCE CURVE - FHMW-12-25

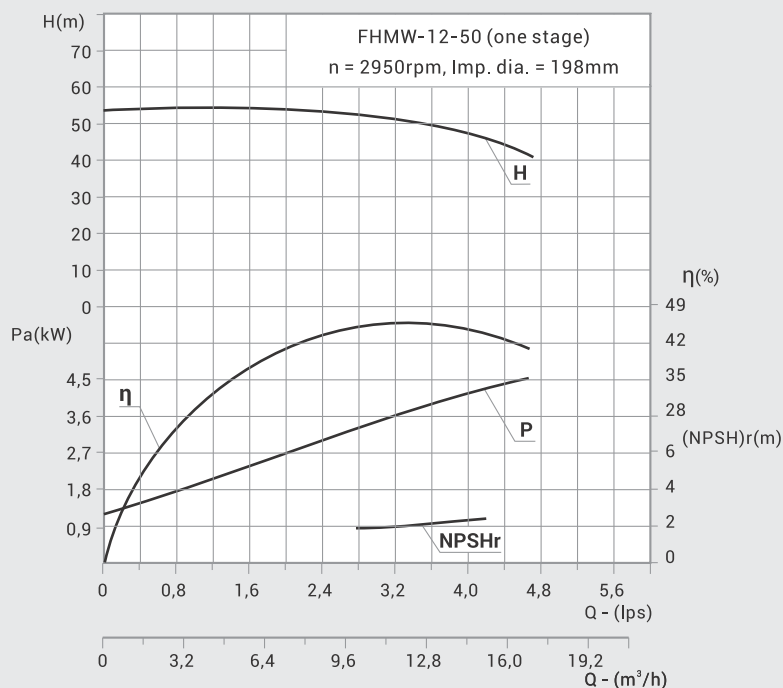


## PERFORMANCE TABLE - FHMW-12-25

Stage	Q Flow		H Head	n Speed	η Eff.	N Shaft Power	Motor		(NPSH)r	D Impeller Diameter
	(m³/h)	(L/s)					Power (kW)	Frame Size - Pole		
			(m)	(rpm)	(%)	(kW)			(m)	(mm)
2	7,5	2,08	56,4	2950	44	2,65	5,5	132S1-2	2,0	Ø146
	12,5	3,47	50		54	3,15			2,0	
	15	4,17	46		53	3,55			2,5	
3	7,5	2,08	84,6		44	3,93	7,5	132S2-2	2,0	
	12,5	3,47	75		54	4,73			2,0	
	15	4,17	69		53	5,32			2,5	
4	7,5	2,08	112,8		44	5,24	11	160M1-2	2,0	
	12,5	3,47	100		54	6,30			2,0	
	15	4,17	92		53	7,09			2,5	
5	7,5	2,08	141		44	6,55	11	160M1-2	2,0	
	12,5	3,47	125		54	7,88			2,0	
	15	4,17	115		53	8,86			2,5	
6	7,5	2,08	169,2	44	7,85	15	160M2-2	2,0		
	12,5	3,47	150	54	9,46			2,0		
	15	4,17	138	53	10,64			2,5		
7	7,5	2,08	197,4	44	9,16	15	160M2-2	2,0		
	12,5	3,47	175	54	11,0			2,0		
	15	4,17	161	53	12,41			2,5		
8	7,5	2,08	225,6	44	10,47	18,5	160L-2	2,0		
	12,5	3,47	200	54	12,61			2,0		
	15	4,17	184	53	14,18			2,5		
9	7,5	2,08	253,8	44	11,78	18,5	160L-2	2,0		
	12,5	3,47	225	54	14,18			2,0		
	15	4,17	207	53	15,95			2,5		
10	7,5	2,08	282	44	13,09	22	180M-2	2,0		
	12,5	3,47	250	54	15,76			2,0		
	15	4,17	230	53	17,73			2,5		
11	7,5	2,08	310,2	44	14,4	22	180M-2	2,0		
	12,5	3,47	275	54	17,34			2,0		
	15	4,17	253	53	19,5			2,5		
12	7,5	2,08	338,4	44	15,7	30	200L1-2	2,0		
	12,5	3,47	300	54	18,9			2,0		
	15	4,17	276	53	21,3			2,5		

\* The 3rd digit of model name 'W' indicates water application. This digit can be changed suitable for other application (Refer the model identification code).  
In view of continuous developments, the information / descriptions / specifications / illustrations are subject to change without notice.

## PERFORMANCE CURVE - FHMW-12-50

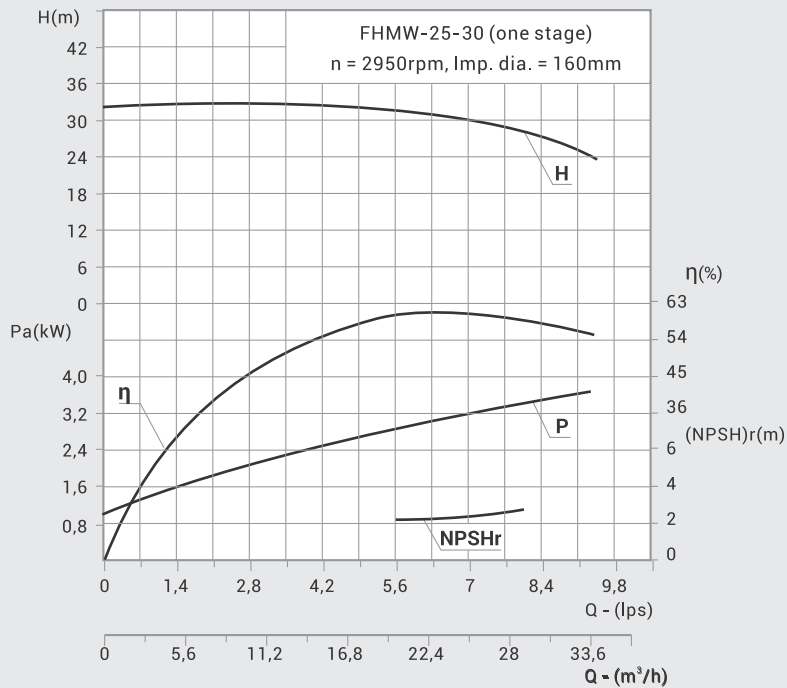


## PERFORMANCE TABLE - FHMW-12-50

Stage	Q Flow		H Head (m)	n Speed (rpm)	η Eff. (%)	N Shaft Power (kW)	Motor		(NPSH)r (m)	D Impeller Diameter (mm)
	(m³/h)	(L/s)					Power (kW)	Frame Size - Pole		
2	7,5	2,08	108	2950	37,8	5,8	11	160M1-2	2	Ø198
	12,5	3,47	100		45	7,6			2	
	15	4,17	93		45,9	8,3			2,5	
3	7,5	2,08	162		37,8	8,8	18,5	160L-2	2	
	12,5	3,47	150		45	11,3			2	
	15	4,17	139,5		45,9	12,4			2,5	
4	7,5	2,08	216		37,8	11,7	22	180M-2	2	
	12,5	3,47	200		45	15,1			2	
	15	4,17	186		45,9	16,6			2,5	
5	7,5	2,08	270		37,8	14,6	30	200L1-2	2	
	12,5	3,47	250		45	18,9			2	
	15	4,17	232,5		45,9	20,7			2,5	
6	7,5	2,08	324	37,8	17,6	30	200L1-2	2		
	12,5	3,47	300	45	22,7			2		
	15	4,17	279	45,9	24,8			2,5		
7	7,5	2,08	378	37,8	20,4	37	200L2-2	2		
	12,5	3,47	350	45	26,5			2		
	15	4,17	325,5	45,9	29,0			2,5		
8	7,5	2,08	432	37,8	23,3	45	225M-2	2		
	12,5	3,47	400	45	30,3			2		
	15	4,17	372	45,9	33,1			2,5		
9	7,5	2,08	486	37,8	26,3	45	225M-2	2		
	12,5	3,47	450	45	34,0			2		
	15	4,17	418,5	45,9	37,3			2,5		
10	7,5	2,08	540	37,8	29,2	55	250M-2	2		
	12,5	3,47	500	45	37,8			2		
	15	4,17	465	45,9	41,4			2,5		
11	7,5	2,08	594	37,8	32,1	55	250M-2	2		
	12,5	3,47	550	45	41,6			2		
	15	4,17	511,5	45,9	45,5			2,5		
12	7,5	2,08	648	37,8	35,0	75	280S-2	2		
	12,5	3,47	600	45	45,4			2		
	15	4,17	558	45,9	50,0			2,5		

\* The 3rd digit of model name 'W' indicates water application. This digit can be changed suitable for other application (Refer the model identification code).  
In view of continuous developments, the information / descriptions / specifications / illustrations are subject to change without notice.

## PERFORMANCE CURVE - FHMW-25-30



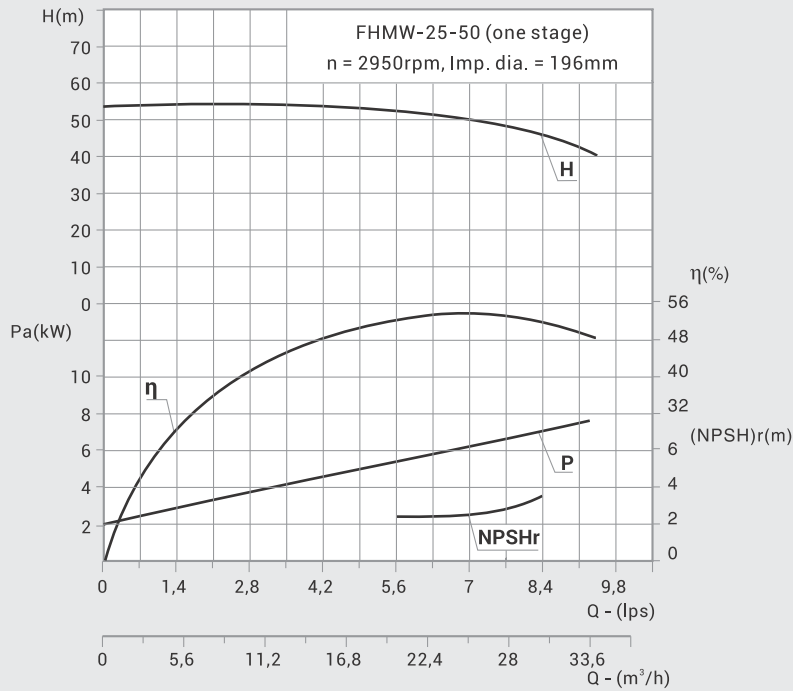
## PERFORMANCE TABLE - FHMW-25-30

Stage	Q Flow		H Head (m)	n Speed (rpm)	η Eff. (%)	N Shaft Power (kW)	Motor		(NPSH)r (m)	D Impeller Diameter (mm)
	(m³/h)	(L/s)					Power (kW)	Frame Size - Pole		
2	15	4,17	68	2950	50	5,56	11	160M1-2	2,2	Ø160
	25	6,94	60		62	6,58			2,2	
	30	8,33	55		63	7,14			2,4	
3	15	4,17	102	50	8,33	15	160M2-2	2,2		
	25	6,94	90	62	9,88			2,2		
	30	8,33	82,5	63	10,7			2,4		
4	15	4,17	136	50	11,11	18.5	160L-2	2,2		
	25	6,94	120	62	13,1			2,2		
	30	8,33	110	63	14,26			2,4		
5	15	4,17	170	50	13,89	22	180M-2	2,2		
	25	6,94	150	62	16,47			2,2		
	30	8,33	137,5	63	17,83			2,4		
6	15	4,17	204	50	16,67	30	200L1-2	2,2		
	25	6,94	180	62	19,77			2,2		
	30	8,33	165	63	21,4			2,4		
7	15	4,17	238	50	19,44	30	200L1-2	2,2		
	25	6,94	210	62	23,1			2,2		
	30	8,33	192,5	63	24,96			2,4		
8	15	4,17	272	50	22,22	37	200L2-2	2,2		
	25	6,94	240	62	26,4			2,2		
	30	8,33	220	63	28,53			2,4		
9	15	4,17	306	50	25,0	37	200L2-2	2,2		
	25	6,94	270	62	29,65			2,2		
	30	8,33	247,5	63	32,1			2,4		
10	15	4,17	340	50	27,8	45	225M-2	2,2		
	25	6,94	300	62	32,9			2,2		
	30	8,33	275	63	35,7			2,4		

\* The 3rd digit of model name 'W' indicates water application. This digit can be changed suitable for other application (Refer the model identification code).  
In view of continuous developments, the information / descriptions / specifications / illustrations are subject to change without notice.



## PERFORMANCE CURVE - FHMW-25-50

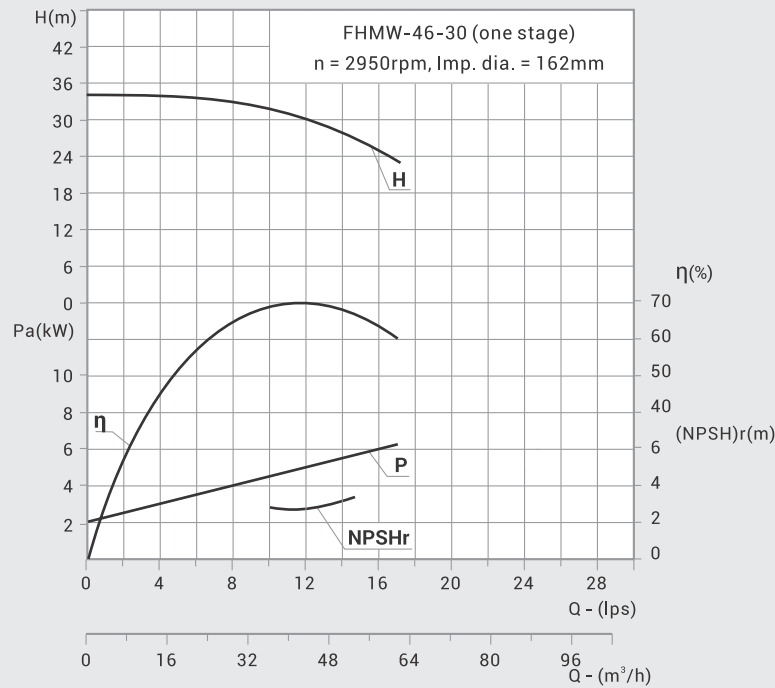


## PERFORMANCE TABLE - FHMW-25-50

Stage	Q Flow		H Head (m)	n Speed (rpm)	η Eff. (%)	N Shaft Power (kW)	Motor		(NPSH)r (m)	D Impeller Diameter (mm)
	(m³/h)	(L/s)					Power (kW)	Frame Size - Pole		
3	15	4,17	154,5	2950	44	14,3	30	180M-2	2,4	Ø196
	25	6,94	150		54	18,9			2,7	
	28	7,78	144		54	20,3			2,8	
4	15	4,17	206		44	19,1	30	200L1-2	2,4	
	25	6,94	200		54	25,2			2,7	
	28	7,78	192		54	27,1			2,8	
5	15	4,17	257,5		44	23,9	37	200L2-2	2,4	
	25	6,94	250		54	31,5			2,7	
	28	7,78	240		54	33,9			2,8	
6	15	4,17	309		44	28,6	45	225M-2	2,4	
	25	6,94	300		54	37,8			2,7	
	28	7,78	288		54	40,7			2,8	
7	15	4,17	360,5	44	33,4	55	250M-2	2,4		
	25	6,94	350	54	44,1			2,7		
	28	7,78	336	54	47,5			2,8		
8	15	4,17	412	44	38,2	75	280S-2	2,4		
	25	6,94	400	54	50,4			2,7		
	28	7,78	384	54	54,2			2,8		
9	15	4,17	363,5	44	43,0	75	280S-2	2,4		
	25	6,94	450	54	56,7			2,7		
	28	7,78	432	54	61,0			2,8		
10	15	4,17	515	44	47,7	75	280S-2	2,4		
	25	6,94	500	54	63,0			2,7		
	28	7,78	480	54	67,8			2,8		
11	15	4,17	566	44	52,5	90	280M-2	2,4		
	25	6,94	550	54	69,3			2,7		
	28	7,78	528	54	74,6			2,8		
12	15	4,17	618	44	57,6	110	315S-2	2,4		
	25	6,94	600	54	75,6			2,7		
	28	7,78	576	54	81,4			2,8		

\* The 3rd digit of model name 'W' indicates water application. This digit can be changed suitable for other application (Refer the model identification code).  
In view of continuous developments, the information / descriptions / specifications / illustrations are subject to change without notice.

## PERFORMANCE CURVE - FHMW-46-30

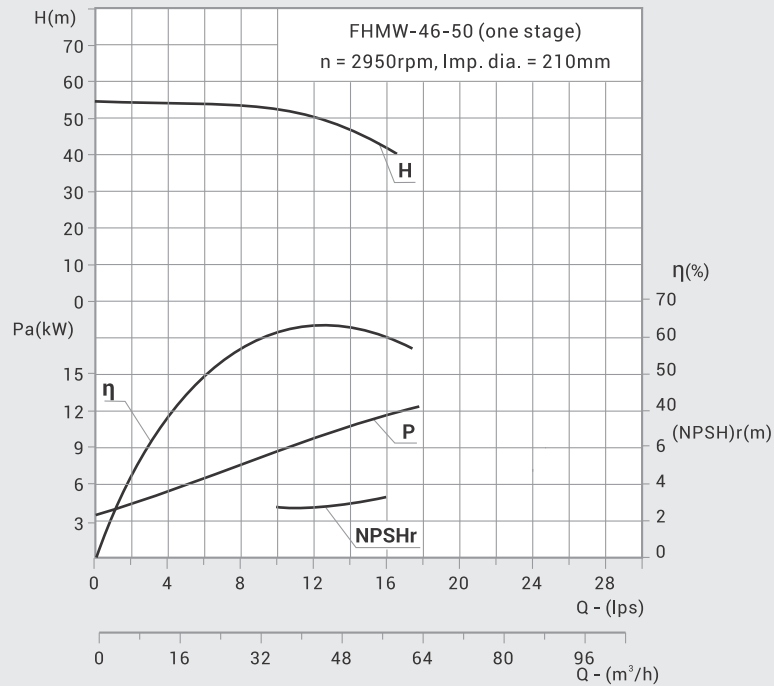


## PERFORMANCE TABLE - FHMW-46-30

Stage	Q Flow		H Head (m)	n Speed (rpm)	η Eff. (%)	N Shaft Power (kW)	Motor		(NPSH)r (m)	D Impeller Diameter (mm)
	(m³/h)	(L/s)					Power (kW)	Frame Size - Pole		
2	30	8,33	68	2950	64	8,68	15	160M2-2	2,4	Ø162
	46	12,8	60		70	10,74			2,8	
	55	15,3	54		68	11,89			4,6	
3	30	8,33	102	2950	64	13,02	22	180M-2	2,4	Ø162
	46	12,8	90		70	16,11			2,8	
	55	15,3	81		68	17,84			4,6	
4	30	8,33	136	2950	64	17,36	30	200L1-2	2,4	Ø162
	46	12,8	120		70	21,48			2,8	
	55	15,3	108		68	23,79			4,6	
5	30	8,33	170	2950	64	21,7	37	200L2-2	2,4	Ø162
	46	12,8	150		70	26,85			2,8	
	55	15,3	135		68	29,74			4,6	
6	30	8,33	204	2950	64	26,04	37	200L2-2	2,4	Ø162
	46	12,8	180		70	32,21			2,8	
	55	15,3	162		68	35,68			4,6	
7	30	8,33	238	2950	64	30,38	45	225M-2	2,4	Ø162
	46	12,8	210		70	37,58			2,8	
	55	15,3	189		68	41,63			4,6	
8	30	8,33	272	2950	64	34,72	55	250M-2	2,4	Ø162
	46	12,8	240		70	42,95			2,8	
	55	15,3	216		68	47,58			4,6	
9	30	8,33	306	2950	64	39,06	55	250M-2	2,4	Ø162
	46	12,8	270		70	48,32			2,8	
	55	15,3	243		68	53,53			4,6	
10	30	8,33	340	2950	64	43,4	75	280S-2	2,4	Ø162
	46	12,8	300		70	53,69			2,8	
	55	15,3	270		68	59,47			4,6	

\* The 3rd digit of model name 'W' indicates water application. This digit can be changed suitable for other application (Refer the model identification code).  
In view of continuous developments, the information / descriptions / specifications / illustrations are subject to change without notice.

## PERFORMANCE CURVE - FHMW-46-50

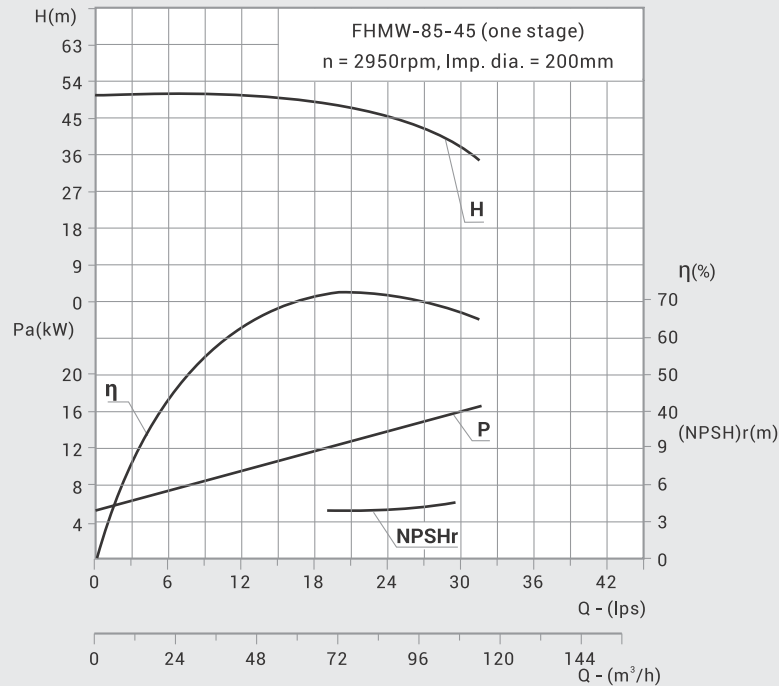


## PERFORMANCE TABLE - FHMW-46-50

Stage	Q Flow		H Head (m)	n Speed (rpm)	η Eff. (%)	N Shaft Power (kW)	Motor		(NPSH)r (m)	D Impeller Diameter (mm)
	(m³/h)	(L/s)					Power (kW)	Frame Size - Pole		
2	30	8,33	111	2950	54	16,78	30	200L1-2	2,5	Ø210
	46	12,78	100		63	19,88			2,8	
	55	15,28	92		64	21,52			3,2	
3	30	8,33	166,5		54	25,19	37	200L2-2	2,5	
	46	12,78	150		63	29,83			2,8	
	55	15,28	138		64	32,28			3,2	
4	30	8,33	222		54	33,59	45	225M-2	2,5	
	46	12,78	200		63	39,77			2,8	
	55	15,28	184		64	43,04			3,2	
5	30	8,33	277,5		54	41,98	55	250M-2	2,5	
	46	12,78	250		63	49,71			2,8	
	55	15,28	230		64	53,80			3,2	
6	30	8,33	333	54	50,38	75	280S-2	2,5		
	46	12,78	300	63	59,65			2,8		
	55	15,28	276	64	64,56			3,2		
7	30	8,33	388,5	54	58,78	90	280M-2	2,5		
	46	12,78	350	63	69,60			2,8		
	55	15,28	322	64	75,32			3,2		
8	30	8,33	444	54	67,20	90	280M-2	2,5		
	46	12,78	400	63	79,52			2,8		
	55	15,28	368	64	86,08			3,2		
9	30	8,33	499,5	54	75,56	110	315S-2	2,5		
	46	12,78	450	63	89,48			2,8		
	55	15,28	414	64	96,84			3,2		
10	30	8,33	555	54	83,97	132	315M-2	2,5		
	46	12,78	500	63	99,42			2,8		
	55	15,28	460	64	107,60			3,2		
11	30	8,33	610,5	54	92,37	132	315M-2	2,5		
	46	12,78	550	63	109,36			2,8		
	55	15,28	506	64	118,36			3,2		
12	30	8,33	666	54	100,8	132 (160)	315M-2 (315L1-2)	2,5		
	46	12,78	600	63	119,28			2,8		
	55	15,28	552	64	129,12			3,2		

\* The 3rd digit of model name 'W' indicates water application. This digit can be changed suitable for other application (Refer the model identification code).  
In view of continuous developments, the information / descriptions / specifications / illustrations are subject to change without notice.

## PERFORMANCE CURVE - FHMW-85-45

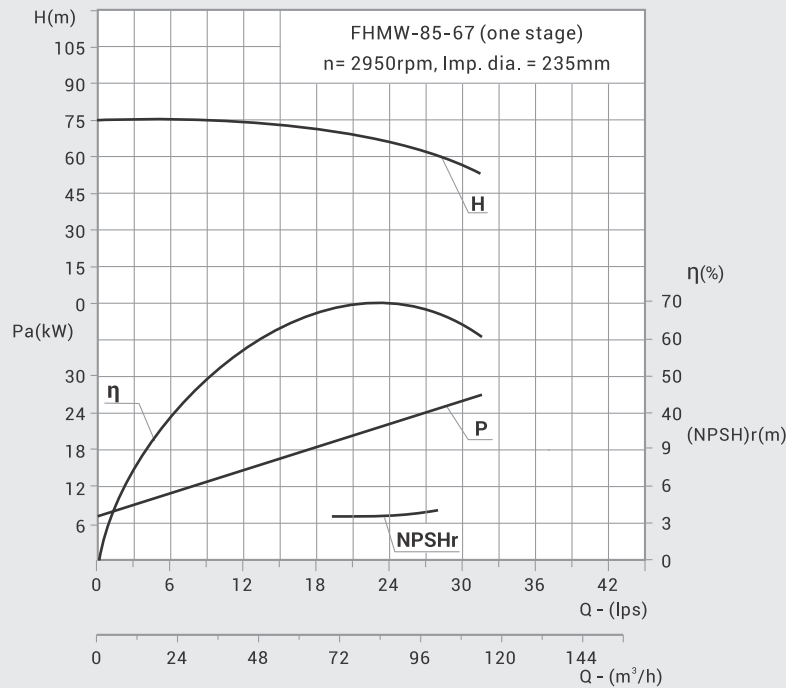


## PERFORMANCE TABLE - FHMW-85-45

Stage	Q Flow		H Head (m)	n Speed (rpm)	η Eff. (%)	N Shaft Power (kW)	Motor		(NPSH)r (m)	D Impeller Diameter (mm)
	(m³/h)	(L/s)					Power (kW)	Frame Size - Pole		
2	55	15.3	102	2950	63	24.25	37	200L2-2	3.2	Ø200
	85	23.6	90		72	28.92			4.2	
	100	27.8	78		70	30.35			5.2	
3	55	15.3	153		63	36.38	55	250M-2	3.2	
	85	23.6	135		72	43.37			4.2	
	100	27.8	117		70	45.52			5.2	
4	55	15.3	204		63	48.5	75	280S-2	3.2	
	85	23.6	180		72	57.82			4.2	
	100	27.8	156		70	60.7			5.2	
5	55	15.3	255		63	60.63	90	280M-2	3.2	
	85	23.6	225		72	72.28			4.2	
	100	27.8	195		70	75.86			5.2	
6	55	15.3	306		63	72.75	110	315S-2	3.2	
	85	23.6	270		72	86.73			4.2	
	100	27.8	234		70	91.04			5.2	
7	55	15.3	357		63	84.88	132	315M-2	3.2	
	85	23.6	315		72	101.2			4.2	
	100	27.8	273		70	106.2			5.2	
8	55	15.3	408	63	97.0	132	315M-2	3.2		
	85	23.6	360	72	115.6			4.2		
	100	27.8	312	70	121.4			5.2		
9	55	15.3	459	63	109.1	160	315L1-2	3.2		
	85	23.6	405	72	130.1			4.2		
	100	27.8	351	70	136.6			5.2		

\* The 3rd digit of model name 'W' indicates water application. This digit can be changed suitable for other application (Refer the model identification code).  
In view of continuous developments, the information / descriptions / specifications / illustrations are subject to change without notice.

## PERFORMANCE CURVE - FHMW-85-67

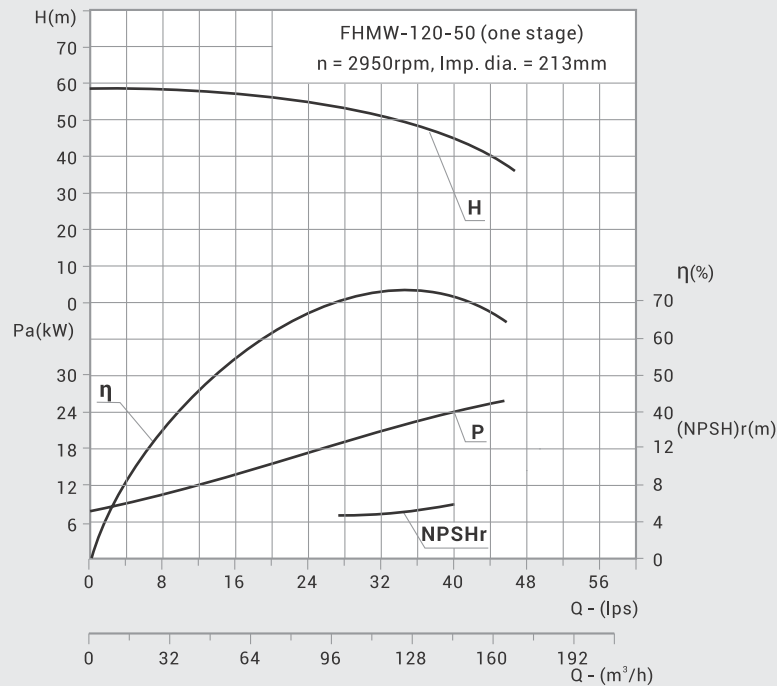


## PERFORMANCE TABLE - FHMW-85-67

Stage	Q Flow		H Head	n Speed	η Eff.	N Shaft Power	Motor		(NPSH)r	D Impeller Diameter
	(m³/h)	(L/s)					Power	Frame Size - Pole		
			(kW)	(m)	(mm)					
3	55	15,3	222	2950	58	57,3	90	280 M-2	3,3	Ø235
	85	23,6	201		68	68,4			4,0	
	100	27,8	183		68	73,3			4,4	
4	55	15,3	296		58	76,4	110	315S-2	3,3	
	85	23,6	268		68	91,2			4,0	
	100	27,8	244		68	97,7			4,4	
5	55	15,3	370		58	95,6	132	315M-2	3,3	
	85	23,6	335		68	114			4,0	
	100	27,8	305		68	122,2			4,4	
6	55	15,3	444	58	114,7	160	315L1-2	3,3		
	85	23,6	402	68	136,9			4,0		
	100	27,8	366	68	146,6			4,4		
7	55	15,3	518	58	133,8	185	315L2-2 (IP23)	3,3		
	85	23,6	469	68	159,6			4,0		
	100	27,8	427	68	171			4,4		
8	55	15,3	592	58	152,9	220	315M1-2	3,3		
	85	23,6	536	68	182,4			4,0		
	100	27,8	488	68	195,4			4,4		
9	55	15,3	666	58	172	250	355M2-2	3,3		
	85	23,6	603	68	205,2			4,0		
	100	27,8	549	68	219,9			4,4		

\* The 3rd digit of model name 'W' indicates water application. This digit can be changed suitable for other application (Refer the model identification code).  
In view of continuous developments, the information / descriptions / specifications / illustrations are subject to change without notice.

## PERFORMANCE CURVE - FHMW-120-50

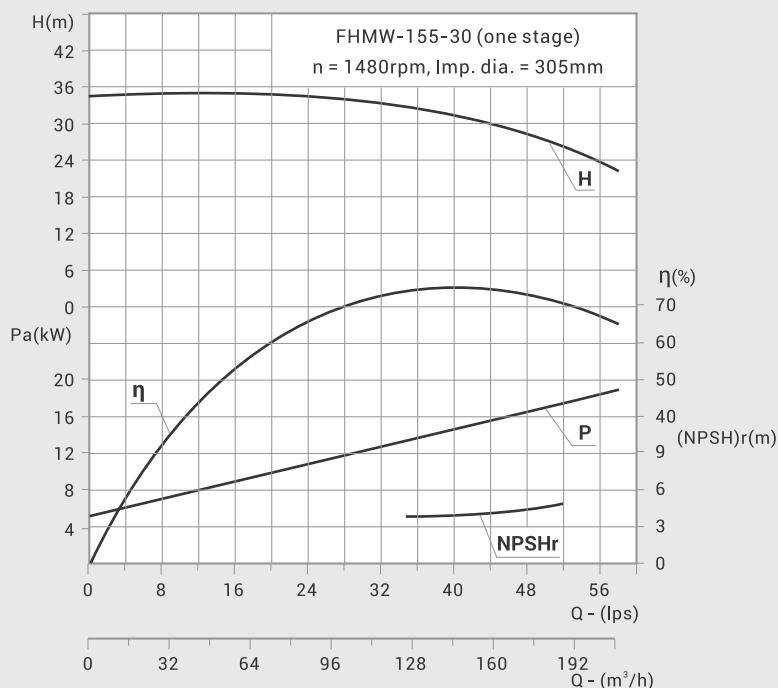


## PERFORMANCE TABLE - FHMW-120-50

Stage	Q Flow		H Head (m)	n Speed (rpm)	η Eff. (%)	N Shaft Power (kW)	Motor		(NPSH)r (m)	D Impeller Diameter (mm)
	(m³/h)	(L/s)					Power (kW)	Frame Size - Pole		
2	96	26,7	110	2950	73	39,44	55	250M-2	3,2	Ø213
	120	33,3	100		73,3	44,54			5,1	
	140	38,9	84,6		67,5	48,8			6,7	
3	96	26,7	165		73	59,09	90	280M-2	3,2	
	120	33,3	150		73,3	66,88			5,1	
	140	38,9	126,9		67,5	71,68			6,7	
4	96	26,7	220		73	78,79	110	315S-2	3,2	
	120	33,3	200		73,3	89,17			5,1	
	140	38,9	169,2		67,5	95,57			6,7	
5	96	26,7	275	73	98,49	132	315M-2	3,2		
	120	33,3	250	73,3	111,46			5,1		
	140	38,9	211,5	67,5	119,46			6,7		
6	96	26,7	330	73	118,18	160	315L1-2	3,2		
	120	33,3	300	73,3	133,75			5,1		
	140	38,9	253,8	67,5	143,36			6,7		
7	96	26,7	385	73	137,88	200	315L2-2	3,2		
	120	33,3	350	73,3	156,04			5,1		
	140	38,9	296,1	67,5	167,25			6,7		
8	96	26,7	440	73	157,58	200	315L2-2	3,2		
	120	33,3	400	73,3	178,33			5,1		
	140	38,9	338,4	67,5	191,14			6,7		
9	96	26,7	495	73	177,28	220	355M1-2	3,2		
	120	33,3	450	73,3	200,63			5,1		
	140	38,9	380,7	67,5	215,03			6,7		

\* The 3rd digit of model name 'W' indicates water application. This digit can be changed suitable for other application (Refer the model identification code). In view of continuous developments, the information / descriptions / specifications / illustrations are subject to change without notice.

## PERFORMANCE CURVE - FHMW-155-30



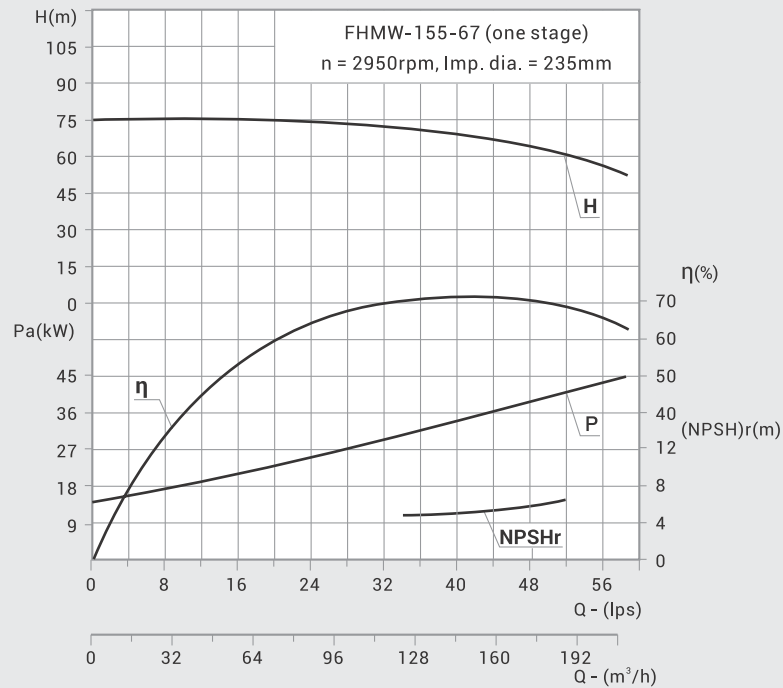
## PERFORMANCE TABLE - FHMW-155-30

Stage	Q Flow		H Head (m)	n Speed (rpm)	η Eff. (%)	N Shaft Power (kW)	Motor		(NPSH)r (m)	D Impeller Diameter (mm)
	(m³/h)	(L/s)					Power (kW)	Frame Size - Pole		
2	119	33	64	1480	69,5	29,8	45	225M-4	3,2	Ø305
	155	43	60		75	33,71			3,9	
	190	52,8	54		76	36,95			4,8	
3	119	33	96		69,5	44,7	75	280S-4	3,2	
	155	43	90		75	50,57			3,9	
	190	52,8	81		76	55,42			4,8	
4	119	33	128		69,5	59,6	90	280M-4	3,2	
	155	43	120		75	67,42			3,9	
	190	52,8	108		76	73,9			4,8	
5	119	33	160		69,5	74,5	110	315S-4	3,2	
	155	43	150	75	84,28	3,9				
	190	52,8	135	76	92,37	4,8				
6	119	33	192	69,5	89,4	132	315M-4	3,2		
	155	43	180	75	101,1			3,9		
	190	52,8	162	76	110,8			4,8		
7	119	33	224	69,5	104,3	160	315L1-4	3,2		
	155	43	210	75	118,0			3,9		
	190	52,8	189	76	129,3			4,8		
8	119	33	256	69,5	119,2	200	315L2-4	3,2		
	155	43	240	75	134,8			3,9		
	190	52,8	216	76	147,8			4,8		
9	119	33	288	69,5	134,1	200	315L2-4	3,2		
	155	43	270	75	151,7			3,9		
	190	52,8	243	76	166,3			4,8		
10	119	33	320	69,5	149	220	315M1-4	3,2		
	155	43	300	75	168,6			3,9		
	190	52,8	270	76	184,7			4,8		

\* The 3rd digit of model name 'W' indicates water application. This digit can be changed suitable for other application (Refer the model identification code).  
In view of continuous developments, the information / descriptions / specifications / illustrations are subject to change without notice.



## PERFORMANCE CURVE - FHMW-155-67

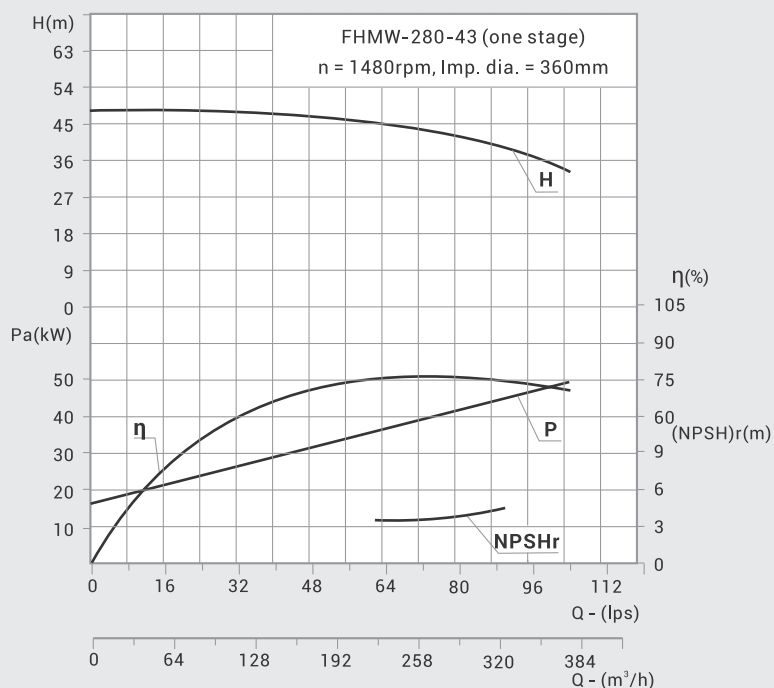


## PERFORMANCE TABLE - FHMW-155-67

Stage	Q Flow		H Head (m)	n Speed (rpm)	η Eff. (%)	N Shaft Power (kW)	Motor		(NPSH)r (m)	D Impeller Diameter (mm)
	(m³/h)	(L/s)					Power (kW)	Frame Size - Pole		
2	100	27,8	152	2950	64	64,7	90	280M-2	3,2	Ø235
	155	43,1	134		74	76,5			5,0	
	185	51,4	118		72	82,6			6,6	
3	100	27,8	228		64	97,0	132	315M-2	3,2	
	155	43,1	201		74	114,7			5,0	
	185	51,4	177		72	123,9			6,6	
4	100	27,8	304		64	129,4	185	315M1-2 (IP23)	3,2	
	155	43,1	268		74	152,9			5,0	
	185	51,4	236		72	165,1			6,6	
5	100	27,8	380	64	161,7	220	355M1-2	3,2		
	155	43,1	335	74	191,2			5,0		
	185	51,4	295	72	206,4			6,6		
6	100	27,8	456	64	194	280	355L1-2	3,2		
	155	43,1	402	74	229,5			5,0		
	185	51,4	354	72	247,7			6,6		
7	100	27,8	532	64	226,4	315	355L2-2	3,2		
	155	43,1	469	74	267,7			5,0		
	185	51,4	413	72	288,9			6,6		
8	100	27,8	608	64	258,8	355	355L1-2 (IP23)	3,2		
	155	43,1	536	74	305,9			5,0		
	185	51,4	472	72	330,2			6,6		
9	100	27,8	684	64	291,1	450	4001-2 (IP23/6kV)	3,2		
	155	43,1	603	74	344,2			5,0		
	185	51,4	531	72	371,5			6,6		

\* The 3rd digit of model name 'W' indicates water application. This digit can be changed suitable for other application (Refer the model identification code).  
In view of continuous developments, the information / descriptions / specifications / illustrations are subject to change without notice.

## PERFORMANCE CURVE - FHMW-280-43

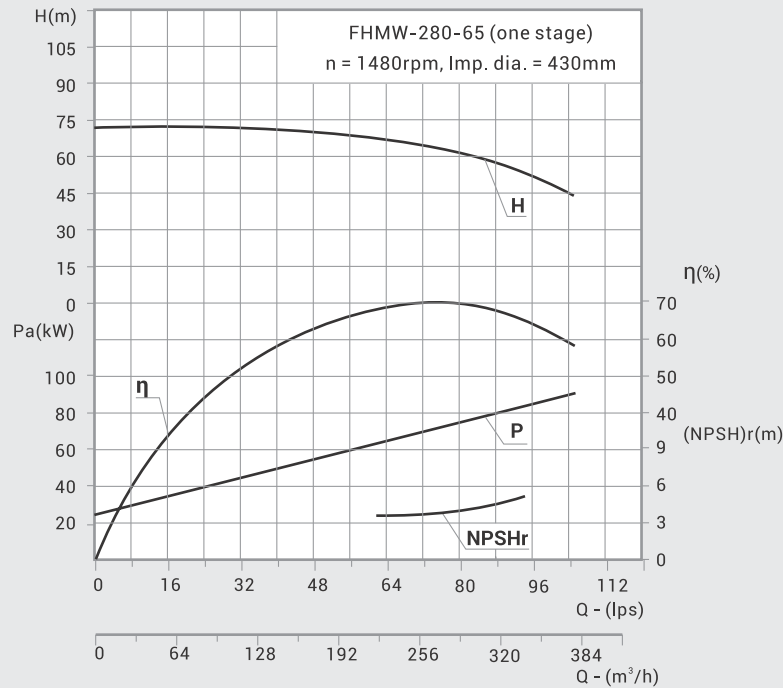


## PERFORMANCE TABLE - FHMW-280-43

Stage	Q Flow		H Head (m)	n Speed (rpm)	η Eff. (%)	N Shaft Power (kW)	Motor		(NPSH)r (m)	D Impeller Diameter (mm)
	(m³/h)	(L/s)					Power (kW)	Frame Size - Pole		
2	185	51,4	94	1480	69	68,6	110	315S-4	2,5	Ø360
	280	77,8	86		77	85,2			4,0	
	335	93,1	76		75	92,5			5,2	
3	185	51,4	141		69	102,9	160	315L1-4	2,5	
	280	77,8	129		77	127,7			4,0	
	335	93,1	114		75	138,8			5,2	
4	185	51,4	188		69	137,7	200	315L2-4	2,5	
	280	77,8	172		77	170,3			4,0	
	335	93,1	152		75	185,0			5,2	
5	185	51,4	235	69	171,6	250	355M2-4	2,5		
	280	77,8	215	77	212,9			4,0		
	335	93,1	190	75	231,3			5,2		
6	185	51,4	282	69	205,9	315	355L2-4	2,5		
	280	77,8	258	77	255,5			4,0		
	335	93,1	228	75	277,5			5,2		
7	185	51,4	329	69	240,2	355	4001-4 (IP23/6kV)	2,5		
	280	77,8	301	77	298,1			4,0		
	335	93,1	266	75	323,8			5,2		
8	185	51,4	376	69	274,5	450	4003-4 (IP23/6kV)	2,5		
	280	77,8	344	77	340,7			4,0		
	335	93,1	304	75	370,0			5,2		
9	185	51,4	423	69	308,8	450	4003-4 (IP23/6kV)	2,5		
	280	77,8	387	77	383,3			4,0		
	335	93,1	342	75	416,3			5,2		

\* The 3rd digit of model name 'W' indicates water application. This digit can be changed suitable for other application (Refer the model identification code).  
In view of continuous developments, the information / descriptions / specifications / illustrations are subject to change without notice.

## PERFORMANCE CURVE - FHMW-280-65

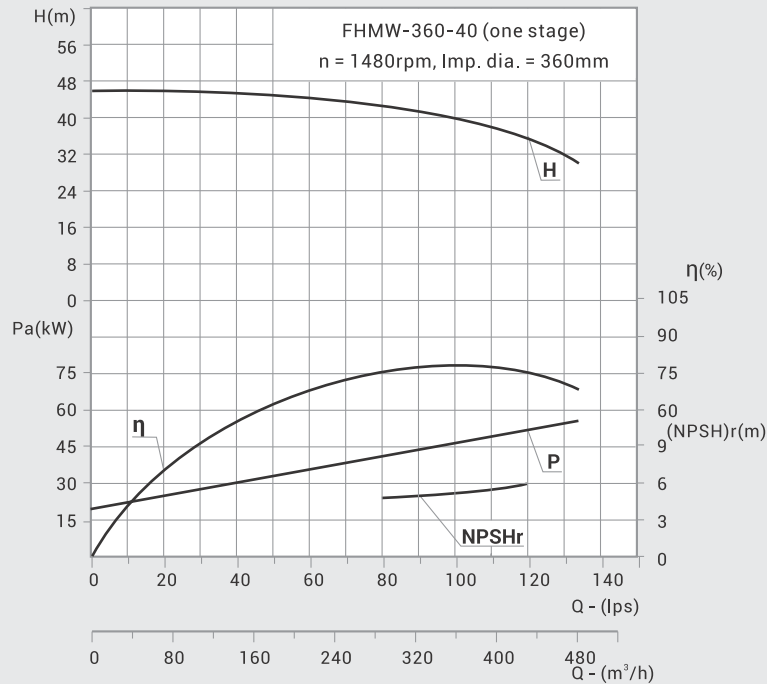


## PERFORMANCE TABLE - FHMW-280-65

Stage	Q Flow		H Head	n Speed	η Eff.	N Shaft Power	Motor		(NPSH)r	D Impeller Diameter
	(m³/h)	(L/s)					Power	Frame Size - Pole		
			(m)	(rpm)	(%)	(kW)			(kW)	(IP23/6kV)
3	185	51,4	204	1480	57	180	280	3555-4 (IP23/6kV)	2,8	Ø430
	280	77,8	195		69	215			3,7	
	335	93,1	186		71	239			5,0	
4	185	51,4	272		57	240	355	4001-4 (IP23/6kV)	2,8	
	280	77,8	260		69	287			3,7	
	335	93,1	248		71	319			5,0	
5	185	51,4	340		57	300	450	4003-4 (IP23/6kV)	2,8	
	280	77,8	325		69	359			3,7	
	335	93,1	310		71	398			5,0	
6	185	51,4	408		57	361	500	4004-4 (IP23/6kV)	2,8	
	280	77,8	390	69	431	3,7				
	335	93,1	372	71	478	5,0				
7	185	51,4	476	57	421	630	4501-4 (IP23/6kV)	2,8		
	280	77,8	455	69	503			3,7		
	335	93,1	434	71	558			5,0		
8	185	51,4	544	57	481	710	4502-4 (IP23/6kV)	2,8		
	280	77,8	520	69	575			3,7		
	335	93,1	496	71	637			5,0		
9	185	51,4	612	57	541	800	4503-4 (IP23/6kV)	2,8		
	280	77,8	585	69	646			3,7		
	335	93,1	558	71	717			5,0		
10	185	51,4	680	57	601	900	4504-4 (IP23/6kV)	2,8		
	280	77,8	650	69	718			3,7		
	335	93,1	620	71	797			5,0		

\* The 3rd digit of model name 'W' indicates water application. This digit can be changed suitable for other application (Refer the model identification code).  
In view of continuous developments, the information / descriptions / specifications / illustrations are subject to change without notice.

## PERFORMANCE CURVE - FHMW-360-40

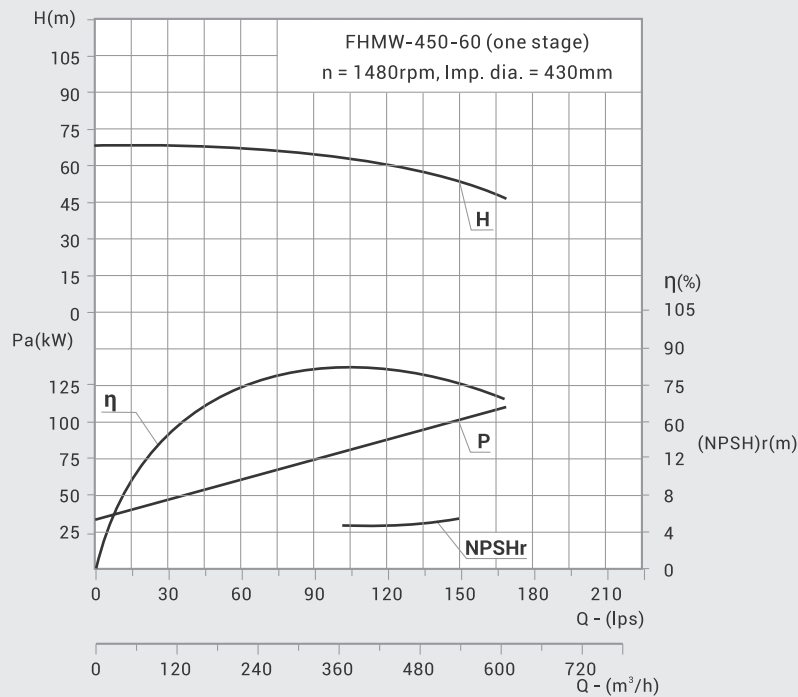


## PERFORMANCE TABLE - FHMW-360-40

Stage	Q Flow		H Head (m)	n Speed (rpm)	η Eff. (%)	N Shaft Power (kW)	Motor		(NPSH)r (m)	D Impeller Diameter (mm)
	(m³/h)	(L/s)					Power (kW)	Frame Size - Pole		
2	300	83,3	84	1480	77	89,1	132	315M1-4	4,65	Ø360
	360	100	80		80	98,1			4,7	
	440	122,2	71		77	110,5			5,4	
3	300	83,3	126		77	133,7	185	315M1-4 (IP23)	4,65	
	360	100	120		80	147,2			4,7	
	440	122,2	106,5		77	165,8			5,4	
4	300	83,3	168		77	178,2	250	355M2-4	4,65	
	360	100	160		80	196,2			4,7	
	440	122,2	142		77	221,1			5,4	
5	300	83,3	210		77	222,8	315	355L2-4	4,65	
	360	100	200	80	245,3	4,7				
	440	122,2	177,5	77	276,3	5,4				
6	300	83,3	252	77	257,4	400	4002-4 (IP23/6kV)	4,65		
	360	100	240	80	294,1			4,7		
	440	122,2	213	77	331,5			5,4		
7	300	83,3	294	77	311,9	450	4003-4 (IP23/6kV)	4,65		
	360	100	280	80	343,1			4,7		
	440	122,2	248,5	77	386,7			5,4		
8	300	83,3	336	77	356,5	500	4004-4 (IP23/6kV)	4,65		
	360	100	320	80	392,2			4,7		
	440	122,2	284	77	441,9			5,4		
9	300	83,3	378	77	401,1	560	4005-4 (IP23/6kV)	4,65		
	360	100	360	80	441,2			4,7		
	440	122,2	319,5	77	497,2			5,4		
10	300	83,3	420	77	445,6	630	4501-4 (IP23/6kV)	4,65		
	360	100	400	80	490,2			4,7		
	440	122,2	355	77	552,4			5,4		

\* The 3rd digit of model name 'W' indicates water application. This digit can be changed suitable for other application (Refer the model identification code).  
In view of continuous developments, the information / descriptions / specifications / illustrations are subject to change without notice.

## PERFORMANCE CURVE - FHMW-450-60

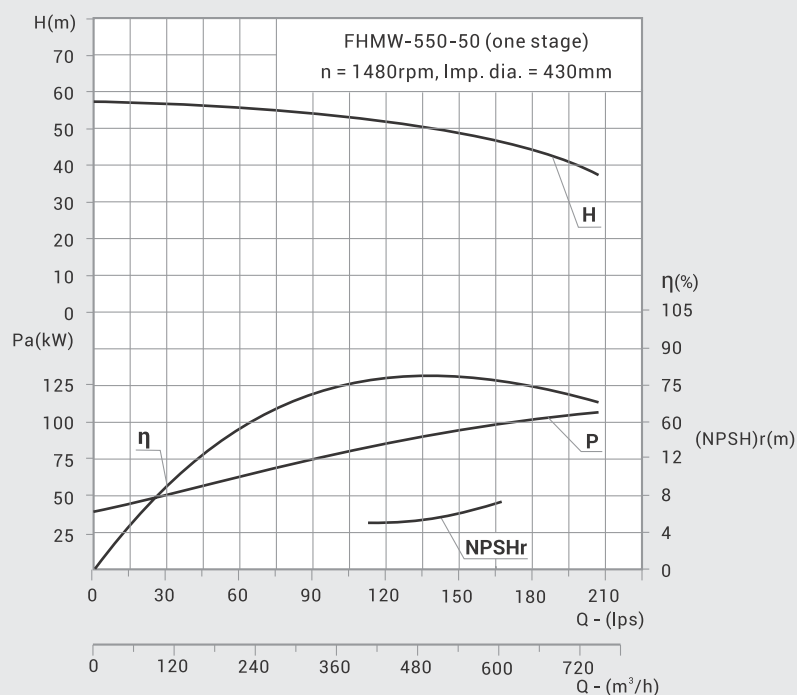


## PERFORMANCE TABLE - FHMW-450-60

Stage	Q Flow		H Head (m)	n Speed (rpm)	η Eff. (%)	N Shaft Power (kW)	Motor		(NPSH)r (m)	D Impeller Diameter (mm)
	(m³/h)	(L/s)					Power (kW)	Frame Size - Pole		
2	335	93,1	130	1480	72	164,7	250	3554-4 (IP23/6kV)	4,1	Ø430
	450	125	120		79	186,1			5,2	
	500	138,9	113		78	197,3			6,3	
3	335	93,1	195		72	247,1	355	4001-4 (IP23/6kV)	4,1	
	450	125	180		79	279,2			5,2	
	500	138,9	171		78	296,0			6,3	
4	335	93,1	260		72	329,5	500	4004-4 (IP23/6kV)	4,1	
	450	125	240		79	372,2			5,2	
	500	138,9	228		78	394,7			6,3	
5	335	93,1	325		72	411,8	630	4501-4 (IP23/6kV)	4,1	
	450	125	300	79	465,4	5,2				
	500	138,9	285	78	493,4	6,3				
6	335	93,1	390	72	494,2	710	4502-4 (IP23/6kV)	4,1		
	450	125	360	79	558,3			5,2		
	500	138,9	342	78	592,0			6,3		
7	335	93,1	455	72	576,5	800	4503-4 (IP23/6kV)	4,1		
	450	125	420	79	651,5			5,2		
	500	138,9	399	78	690,7			6,3		
8	335	93,1	520	72	658,9	900	4504-4 (IP23/6kV)	4,1		
	450	125	480	79	744,4			5,2		
	500	138,9	456	78	789,4			6,3		
9	335	93,1	585	72	741,2	1000	5001-4 (IP23/6kV)	4,1		
	450	125	540	79	837,5			5,2		
	500	138,9	513	78	888,0			6,3		
10	335	93,1	650	72	823,6	1120	5002-4 (IP23/6kV)	4,1		
	450	125	600	79	930,8			5,2		
	500	138,9	570	78	995,1			6,3		

\* The 3rd digit of model name 'W' indicates water application. This digit can be changed suitable for other application (Refer the model identification code).  
In view of continuous developments, the information / descriptions / specifications / illustrations are subject to change without notice.

## PERFORMANCE CURVE - FHMW-550-50



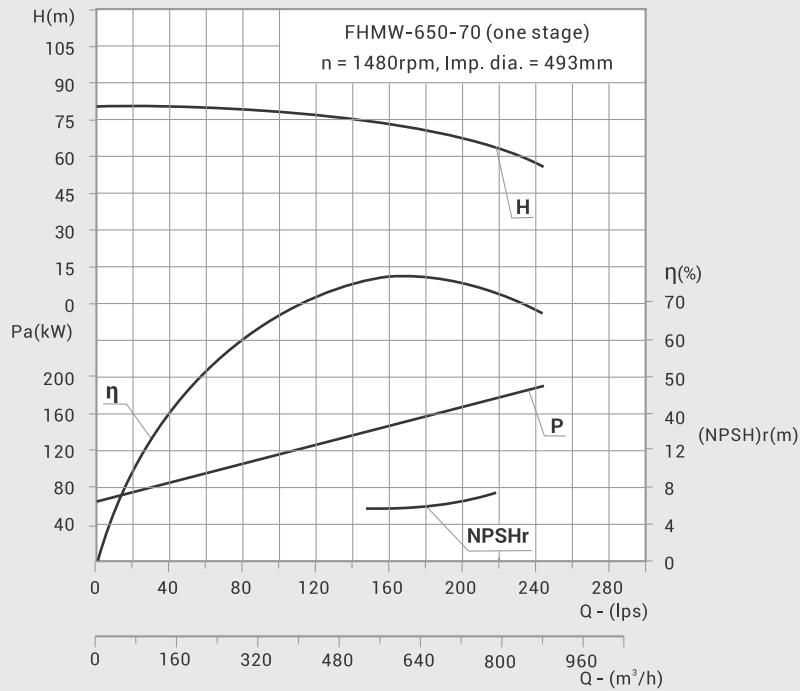
## PERFORMANCE TABLE - FHMW-550-50

Stage	Q Flow		H Head (m)	n Speed (rpm)	η Eff. (%)	N Shaft Power (kW)	Motor		(NPSH)r (m)	D Impeller Diameter (mm)
	(m³/h)	(L/s)					Power (kW)	Frame Size - Pole		
2	450	125	120	1480	78	188,5	250	3554-4 (IP23/6kV)	5,2	Ø430
	550	152,7	100		79	189,6			5,8	
	590	163,9	90		75	192,7			6,5	
3	450	125	180		78	282,8	355	4001-4 (IP23/6kV)	5,2	
	550	152,7	150		79	284,3			5,8	
	590	163,9	135		75	289,1			6,5	
4	450	125	240		78	376,9	450	4003-4 (IP23/6kV)	5,2	
	550	152,7	200		79	378,9			5,8	
	590	163,9	180		75	385,4			6,5	
5	450	125	300	78	471,3	560	4005-4 (IP23/6kV)	5,2		
	550	152,7	250	79	473,8			5,8		
	590	163,9	225	75	481,8			6,5		
6	450	125	360	78	565,5	710	4502-4 (IP23/6kV)	5,2		
	550	152,7	300	79	568,5			5,8		
	590	163,9	270	75	578,1			6,5		
7	450	125	420	78	659,8	800	4503-4 (IP23/6kV)	5,2		
	550	152,7	350	79	663,3			5,8		
	590	163,9	315	75	674,5			6,5		
8	450	125	480	78	754,0	900	4504-4 (IP23/6kV)	5,2		
	550	152,7	400	79	758,0			5,8		
	590	163,9	360	75	770,8			6,5		
9	450	125	540	78	848,3	1000	5003/4 (IP23/6kV)	5,2		
	550	152,7	450	79	852,8			5,8		
	590	163,9	405	75	867,2			6,5		

\* The 3rd digit of model name 'W' indicates water application. This digit can be changed suitable for other application (Refer the model identification code).  
In view of continuous developments, the information / descriptions / specifications / illustrations are subject to change without notice.



## PERFORMANCE CURVE - FHMW-650-70

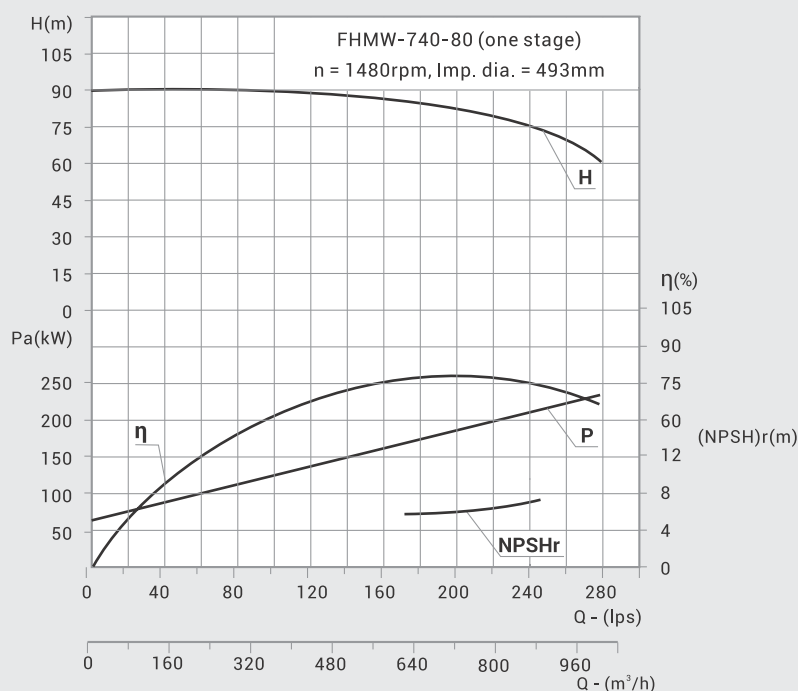


## PERFORMANCE TABLE - FHMW-650-70

Stage	Q Flow		H Head (m)	n Speed (rpm)	η Eff. (%)	N Shaft Power (kW)	Motor		(NPSH)r (m)	D Impeller Diameter (mm)
	(m³/h)	(L/s)					Power (kW)	Frame Size - Pole		
2	550	152,8	147	1480	75	293,5	400	4002-4 (IP23/6kV)	5,8	Ø493
	650	180,6	140		76,5	323,8			6,2	
	750	208,3	120		75	326,7			6,5	
3	550	152,8	220,5	75	440,2	560	4005-5 (IP23/6kV)	5,8		
	650	180,6	210	76,5	485,7			6,2		
	750	208,3	180	75	490,0			6,5		
4	550	152,8	294	75	586,9	710	4502-4 (IP23/6kV)	5,8		
	650	180,6	280	76,5	647,6			6,2		
	750	208,3	240	75	653,3			6,5		
5	550	152,8	367,5	75	733,6	900	4504-4 (IP23/6kV)	5,8		
	650	180,6	350	76,5	809,5			6,2		
	750	208,3	300	75	816,7			6,5		
6	550	152,8	441	75	880,4	1120	5002-4 (IP23/6kV)	5,8		
	650	180,6	420	76,5	971,5			6,2		
	750	208,3	360	75	980,0			6,5		
7	550	152,8	514,5	75	1027,1	1250	5003-4 (IP23/6kV)	5,8		
	650	180,6	490	76,5	1133,4			6,2		
	750	208,3	420	75	1143,3			6,5		
8	550	152,8	588	75	1173,8	1600	5603-4 (IP23/6kV)	5,8		
	650	180,6	560	76,5	1295,3			6,2		
	750	208,3	480	75	1306,7			6,5		

\* The 3rd digit of model name 'W' indicates water application. This digit can be changed suitable for other application (Refer the model identification code).  
In view of continuous developments, the information / descriptions / specifications / illustrations are subject to change without notice.

## PERFORMANCE CURVE - FHMW-740-80

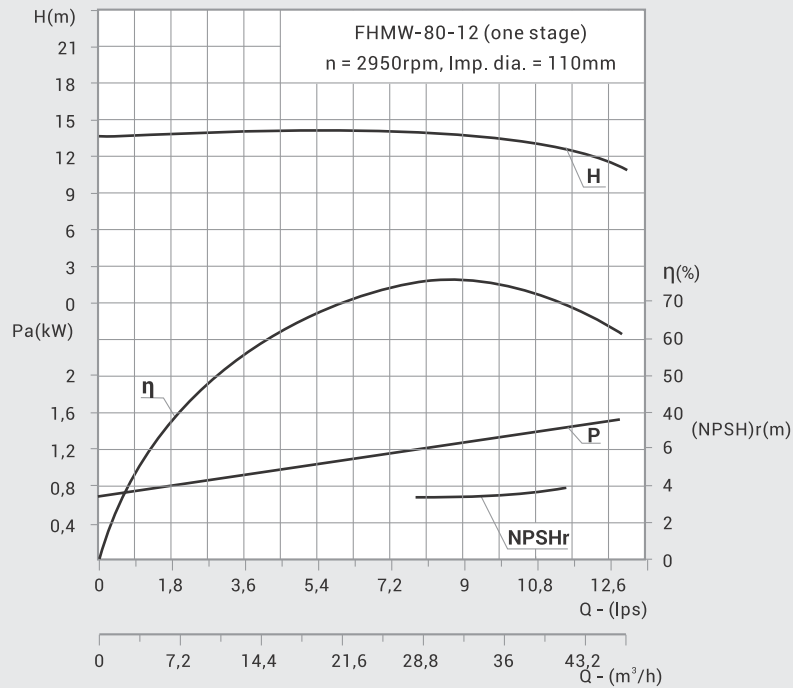


## PERFORMANCE TABLE - FHMW-740-80

Stage	Q Flow		H Head (m)	n Speed (rpm)	η Eff. (%)	N Shaft Power (kW)	Motor		(NPSH)r (m)	D Impeller Diameter (mm)
	(m³/h)	(L/s)					Power (kW)	Frame Size - Pole		
2	640	168,4	168,4	1480	77,5	378,5	500	4004-4 (IP23/6kV)	5,8	Ø493
	740	160	160		78,4	411,2				
	840	146,6	146,6		77,3	433,6				
3	640	168,4	252,6		77,5	567,9	710	4502-4 (IP23/6kV)	5,8	
	740	160	240		78,4	616,8				
	840	146,6	219,9		77,3	650,4				
4	640	168,4	336,8		77,5	757,2	1000	5001-4 (IP23/6kV)	5,8	
	740	160	320		78,4	822,4				
	840	146,6	293,2		77,3	867,2				
5	640	168,4	421		77,5	946,5	1250	5003-4 (IP23/6kV)	5,8	
	740	160	400		78,4	1028				
	840	146,6	366,5		77,3	1084				
6	640	168,4	505,2		77,5	1135,8	1600	5603-4 (IP23/10kV)	5,8	
	740	160	480		78,4	1233,6				
	840	146,6	439,8		77,3	1300,8				

\* The 3rd digit of model name 'W' indicates water application. This digit can be changed suitable for other application (Refer the model identification code).  
In view of continuous developments, the information / descriptions / specifications / illustrations are subject to change without notice.

## PERFORMANCE CURVE - FHMW-80-12

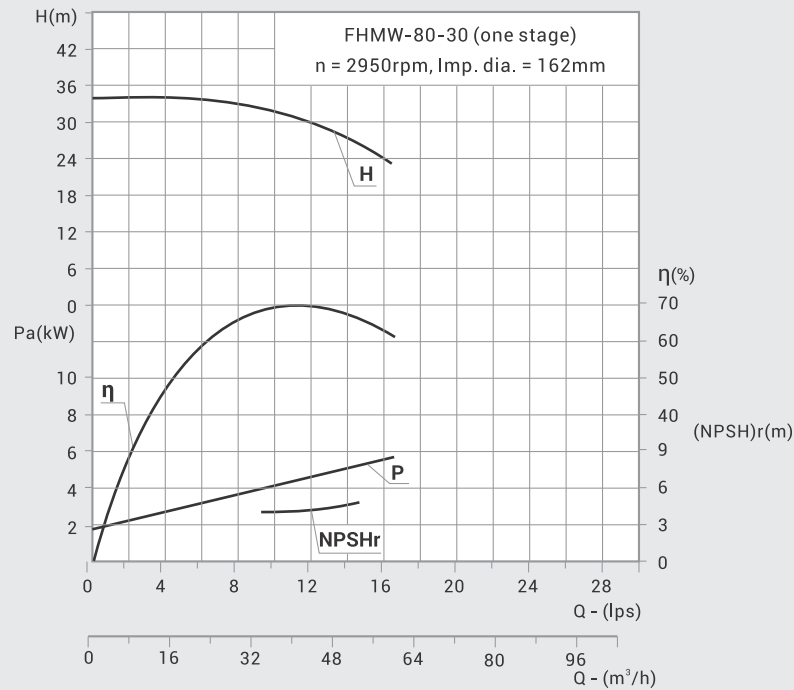


## PERFORMANCE TABLE - FHMW-80-12

Stage	Q Flow		H Head (m)	n Speed (rpm)	η Eff. (%)	N Shaft Power (kW)	Motor		(NPSH)r (m)	D Impeller Diameter (mm)
	(m³/h)	(L/s)					Power (kW)	Frame Size - Pole		
2	21,6	6,0	28,8	2950	69	2,46	4	112M-2	3,2	Ø110
	34,6	9,6	22,8		75	2,84			3,3	
	39,6	11	19,0		72	2,82			3,4	
3	21,6	6,0	43,2		69	3,69	5,5	132S1-2	3,2	
	34,6	9,6	34,2		75	4,26			3,3	
	39,6	11	28,5		72	4,23			3,4	
4	21,6	6,0	57,6		69	4,92	7,5	132S2-2	3,2	
	34,6	9,6	45,6		75	5,69			3,3	
	39,6	11	38,0		72	5,64			3,4	
5	21,6	6,0	72,0	69	6,15	11	160M1-2	3,2		
	34,6	9,6	57,0	75	7,10			3,3		
	39,6	11	47,5	72	7,05			3,4		
6	21,6	6,0	86,4	69	7,38	11	160M1-2	3,2		
	34,6	9,6	68,4	75	8,52			3,3		
	39,6	11	57,0	72	8,46			3,4		
7	21,6	6,0	100,8	69	8,61	15	160M2-2	3,2		
	34,6	9,6	79,8	75	9,94			3,3		
	39,6	11	66,5	72	9,87			3,4		
8	21,6	6,0	115,2	69	9,84	15	160M2-2	3,2		
	34,6	9,6	91,2	75	11,36			3,3		
	39,6	11	76,0	72	11,28			3,4		
9	21,6	6,0	129,6	69	11,07	18,5	160L-2	3,2		
	34,6	9,6	102,6	75	12,78			3,3		
	39,6	11	85,5	72	12,69			3,4		

\* The 3rd digit of model name 'W' indicates water application. This digit can be changed suitable for other application (Refer the model identification code).  
In view of continuous developments, the information / descriptions / specifications / illustrations are subject to change without notice.

## PERFORMANCE CURVE - FHMW-80-30

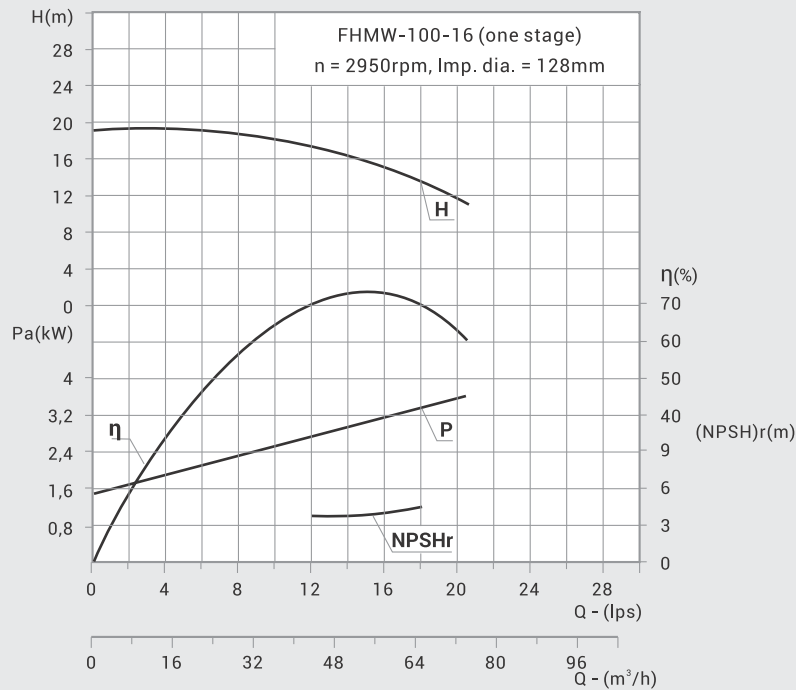


## PERFORMANCE TABLE - FHMW-80-30

Stage	Q Flow		H Head (m)	n Speed (rpm)	η Eff. (%)	N Shaft Power (kW)	Motor		(NPSH)r (m)	D Impeller Diameter (mm)
	(m³/h)	(L/s)					Power (kW)	Frame Size - Pole		
3	26	7,22	102	2950	60	12,0	18,5	160L-2	3,0	Ø162
	43	11,94	90		70	15,1			3,9	
	48	13,33	83		69	15,7			4,3	
4	26	7,22	136		60	16,0	22	180M-2	3,0	
	43	11,94	120		70	20,1			3,9	
	48	13,33	111		69	20,96			4,3	
5	26	7,22	170		60	20,1	30	200L1-2	3,0	
	43	11,94	150		70	25,2			3,9	
	48	13,33	139		69	26,2			4,3	
6	26	7,22	204		60	24,1	37	200L2-2	3,0	
	43	11,94	180		70	30,2			3,9	
	48	13,33	167		69	31,44			4,3	
7	26	7,22	238		60	28,1	45	225M-2	3,0	
	43	11,94	210		70	35,2			3,9	
	48	13,33	195		69	36,68			4,3	
8	26	7,22	272		60	32,1	55	250M-2	3,0	
	43	11,94	240		70	40,2			3,9	
	48	13,33	222		69	41,96			4,3	
9	26	7,22	306		60	36,1	55	250M-2	3,0	
	43	11,94	270		70	45,3			3,9	
	48	13,33	250		69	47,16			4,3	
10	26	7,22	340		60	40,1	55	250M-2	3,0	
	43	11,94	300		70	50,3			3,9	
	48	13,33	278		69	53,0			4,3	

\* The 3rd digit of model name 'W' indicates water application. This digit can be changed suitable for other application (Refer the model identification code).  
In view of continuous developments, the information / descriptions / specifications / illustrations are subject to change without notice.

## PERFORMANCE CURVE - FHMW-100-16

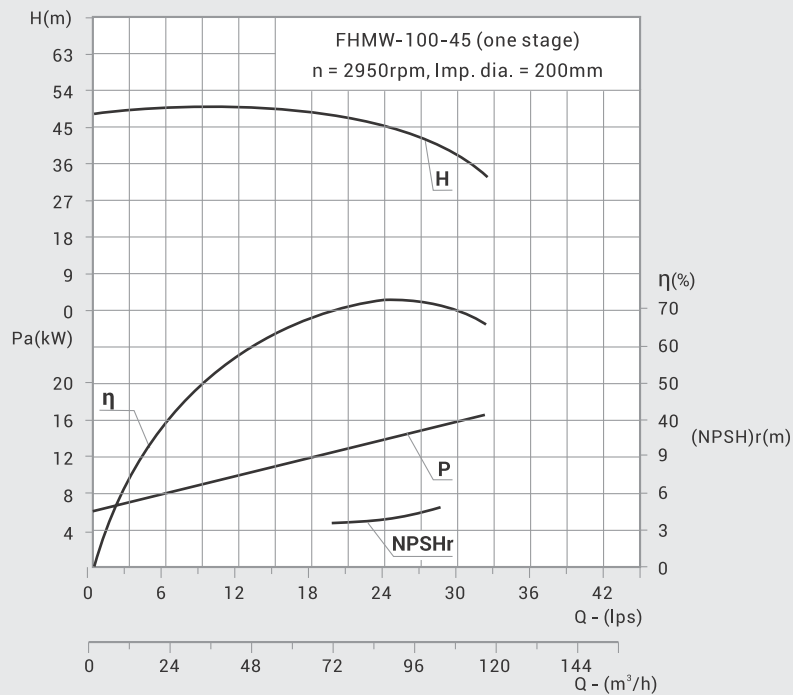


## PERFORMANCE TABLE - FHMW-100-16

Stage	Q Flow		H Head (m)	n Speed (rpm)	η Eff. (%)	N Shaft Power (kW)	Motor		(NPSH)r (m)	D Impeller Diameter (mm)
	(m³/h)	(L/s)					Power (kW)	Frame Size - Pole		
2	36	10	40	2950	66	5,94	7,5	132S2-2	3,7	Ø128
	54,0	15	32		73	6,44			3,9	
	72,0	20	22		66	6,53			4,3	
3	36	10	60		66	8,91	15	160M2-2	3,7	
	54,0	15	48		73	9,67			3,9	
	72,0	20	34		66	9,80			4,3	
4	36	10	80		66	11,88	18,5	160L-2	3,7	
	54,0	15	64		73	12,89			3,9	
	72,0	20	45		66	13,07			4,3	
5	36	10	100	66	14,85	22	180M-2	3,7		
	54,0	15	80	73	16,11			3,9		
	72,0	20	56	66	16,33			4,3		
6	36	10	120	66	17,82	22	180M-2	3,7		
	54,0	15	96	73	19,33			3,9		
	72,0	20	67	66	19,60			4,3		
7	36	10	140	66	20,79	30	200L1-2	3,7		
	54,0	15	112	73	22,55			3,9		
	72,0	20	78	66	22,87			4,3		
8	36	10	160	66	23,76	30	200L1-2	3,7		
	54,0	15	128	73	25,78			3,9		
	72,0	20	90	66	26,13			4,3		
9	36	10	180	66	26,73	37	200L2-2	3,7		
	54,0	15	144	73	29,00			3,9		
	72,0	20	101	66	29,40			4,3		

\* The 3rd digit of model name 'W' indicates water application. This digit can be changed suitable for other application (Refer the model identification code).  
In view of continuous developments, the information / descriptions / specifications / illustrations are subject to change without notice.

## PERFORMANCE CURVE - FHMW-100-45



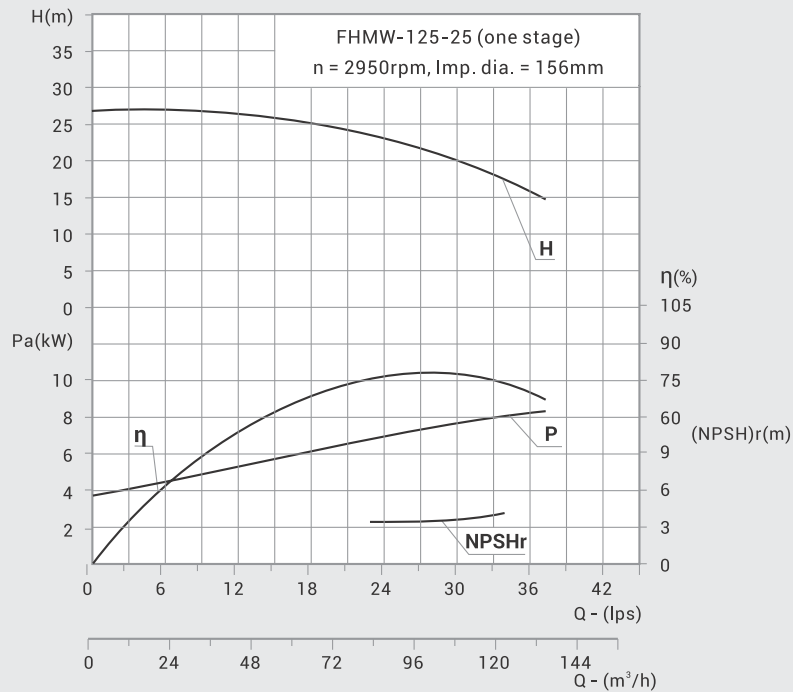
## PERFORMANCE TABLE - FHMW-100-45

Stage	Q Flow		H Head (m)	n Speed (rpm)	η Eff. (%)	N Shaft Power (kW)	Motor		(NPSH)r (m)	D Impeller Diameter (mm)
	(m³/h)	(L/s)					Power (kW)	Frame Size - Pole		
2	55	15,3	102	2950	63	24,25	37	200L2-2	3,2	Ø200
	85	23,6	90		72	28,92			4,2	
	100	27,8	78		70	30,35			5,2	
3	55	15,3	153		63	36,38	55	250M-2	3,2	
	85	23,6	135		72	43,37			4,2	
	100	27,8	117		70	45,52			5,2	
4	55	15,3	204		63	48,5	75	280S-2	3,2	
	85	23,6	180		72	57,82			4,2	
	100	27,8	156		70	60,7			5,2	
5	55	15,3	255	63	60,63	90	280M-2	3,2		
	85	23,6	225	72	72,28			4,2		
	100	27,8	195	70	75,86			5,2		
6	55	15,3	306	63	72,75	110	315S-2	3,2		
	85	23,6	270	72	86,73			4,2		
	100	27,8	234	70	91,04			5,2		
7	55	15,3	357	63	84,88	132	315M-2	3,2		
	85	23,6	315	72	101,2			4,2		
	100	27,8	273	70	106,2			5,2		
8	55	15,3	408	63	97,0	132	315M-2	3,2		
	85	23,6	360	72	115,6			4,2		
	100	27,8	312	70	121,4			5,2		
9	55	15,3	459	63	109,1	160	315L1-2	3,2		
	85	23,6	405	72	130,1			4,2		
	100	27,8	351	70	136,6			5,2		

\* The 3rd digit of model name 'W' indicates water application. This digit can be changed suitable for other application (Refer the model identification code).  
In view of continuous developments, the information / descriptions / specifications / illustrations are subject to change without notice.



## PERFORMANCE CURVE - FHMW-125-25

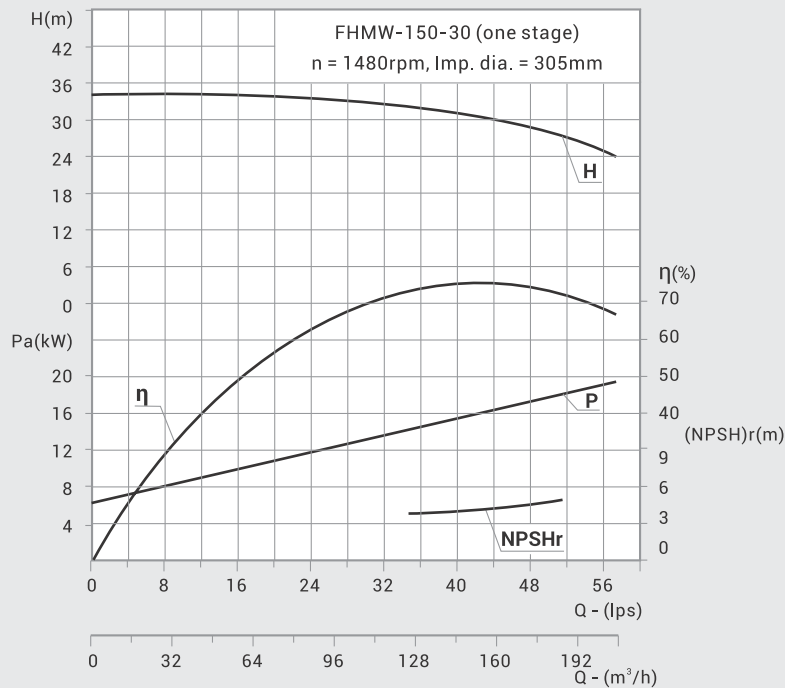


## PERFORMANCE TABLE - FHMW-125-25

Stage	Q Flow		H Head (m)	n Speed (rpm)	η Eff. (%)	N Shaft Power (kW)	Motor		(NPSH)r (m)	D Impeller Diameter (mm)
	(m³/h)	(L/s)					Power (kW)	Frame Size - Pole		
2	72	20	51,2	2950	70,5	14,20	22	180M-2	3,2	Ø156
	101	28	43,0		77,5	15,20			3,6	
	119	33	35,0		77,0	15,30			4,3	
3	72	20	76,8		70,5	21,30	30	200L1-2	3,2	
	101	28	64,5		77,5	22,80			3,6	
	119	33	52,5		77,0	22,90			4,3	
4	72	20	102,4		70,5	28,40	37	200L2-2	3,2	
	101	28	86,0		77,5	30,40			3,6	
	119	33	70,0		77,0	30,60			4,3	
5	72	20	128,0	70,5	35,50	45	225M-2	3,2		
	101	28	107,5	77,5	38,00			3,6		
	119	33	87,5	77,0	38,25			4,3		
6	72	20	153,6	70,5	42,60	55	250M-2	3,2		
	101	28	129,0	77,5	45,60			3,6		
	119	33	105,0	77,0	45,90			4,3		
7	72	20	179,2	70,5	49,70	75	280S-2	3,2		
	101	28	150,5	77,5	53,20			3,6		
	119	33	122,5	77,0	53,55			4,3		
8	72	20	204,8	70,5	56,80	75	280S-2	3,2		
	101	28	172,0	77,5	60,80			3,6		
	119	33	140,0	77,0	61,20			4,3		
9	72	20	230,4	70,5	63,90	90	280M-2	3,2		
	101	28	193,5	77,5	68,40			3,6		
	119	33	157,5	77,0	68,85			4,3		

\* The 3rd digit of model name 'W' indicates water application. This digit can be changed suitable for other application (Refer the model identification code).  
In view of continuous developments, the information / descriptions / specifications / illustrations are subject to change without notice.

## PERFORMANCE CURVE - FHMW-150-30

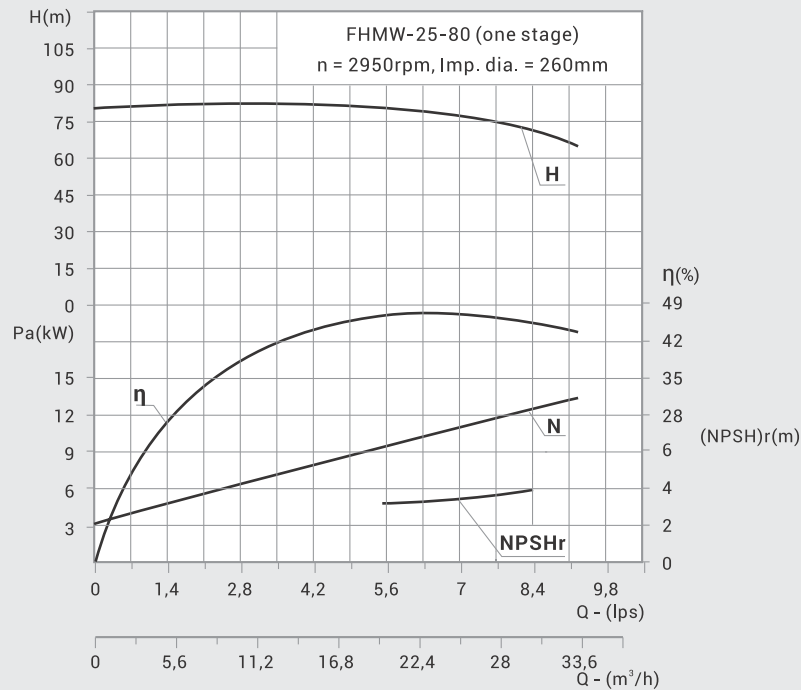


## PERFORMANCE TABLE - FHMW-150-30

Stage	Q Flow		H Head (m)	n Speed (rpm)	η Eff. (%)	N Shaft Power (kW)	Motor		(NPSH)r (m)	D Impeller Diameter (mm)
	(m³/h)	(L/s)					Power (kW)	Frame Size - Pole		
2	119	33	64	1480	69,5	29,8	45	225M-4	3,2	∅305
	155	43	60		75	33,71			3,9	
	190	52,8	54		76	36,95			4,8	
3	119	33	96		69,5	44,7	75	280S-4	3,2	
	155	43	90		75	50,57			3,9	
	190	52,8	81		76	55,42			4,8	
4	119	33	128		69,5	59,6	90	280M-4	3,2	
	155	43	120		75	67,42			3,9	
	190	52,8	108		76	73,9			4,8	
5	119	33	160		69,5	74,5	110	315S-4	3,2	
	155	43	150	75	84,28	3,9				
	190	52,8	135	76	92,37	4,8				
6	119	33	192	69,5	89,4	132	315M-4	3,2		
	155	43	180	75	101,1			3,9		
	190	52,8	162	76	110,8			4,8		
7	119	33	224	69,5	104,3	160	315L1-4	3,2		
	155	43	210	75	118,0			3,9		
	190	52,8	189	76	129,3			4,8		
8	119	33	256	69,5	119,2	200	315L2-4	3,2		
	155	43	240	75	134,8			3,9		
	190	52,8	216	76	147,8			4,8		
9	119	33	288	69,5	134,1	200	315L2-4	3,2		
	155	43	270	75	151,7			3,9		
	190	52,8	243	76	166,3			4,8		
10	119	33	320	69,5	149	220	315M1-4	3,2		
	155	43	300	75	168,6			3,9		
	190	52,8	270	76	184,7			4,8		

\* The 3rd digit of model name 'W' indicates water application. This digit can be changed suitable for other application (Refer the model identification code).  
In view of continuous developments, the information / descriptions / specifications / illustrations are subject to change without notice.

## PERFORMANCE CURVE - FHMW-25-80 (HIGH PRESSURE)

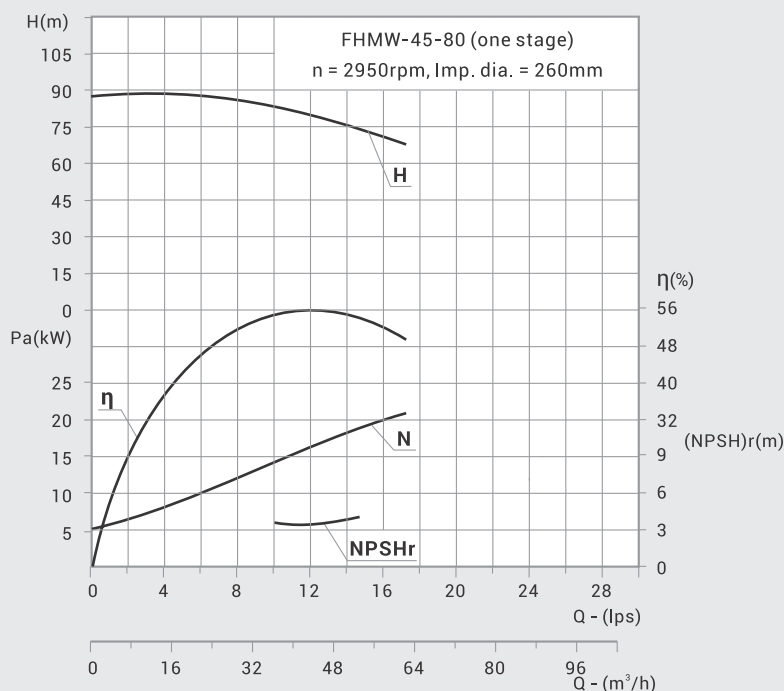


## PERFORMANCE TABLE - FHMW-25-80 (HIGH PRESSURE)

Stage	Q Flow		H Head (m)	n Speed (rpm)	η Eff. (%)	N Shaft Power (kW)	Motor		(NPSH)r (m)	D Impeller Diameter (mm)	
	(m³/h)	(L/s)					Power (kW)	Frame Size - Pole			
6	17,4	4,83	508	2950	41,4	57,9	90	280M-2	3,1	Ø260	
	25	6,94	476		48	67,5			3,3		
	29,1	8,08	454		51,8	69,5			3,8		
7	17,4	4,83	590		41,4	67,5	90	280M-2	3,1		Ø260
	25	6,94	556		48	78,9			3,3		
	29,1	8,08	530		51,8	81,1			3,8		
8	17,4	4,83	675		41,4	77,3	110	315S-2	3,1		Ø260
	25	6,94	635		48	90,1			3,3		
	29,1	8,08	505		51,8	92,6			3,8		
9	17,4	4,83	760		41,4	87	132	315M-2	3,1		Ø260
	25	6,94	715		48	101,4			3,3		
	29,1	8,08	681		51,8	104,2			3,8		
10	17,4	4,83	840	41,4	96,6	132	315M-2	3,1	Ø260		
	25	6,94	795	48	112,8			3,3			
	29,1	8,08	757	51,8	115,8			3,8			
11	17,4	4,83	928	41,4	106,2	160	315L1-2	3,1	Ø260		
	25	6,94	875	48	124,1			3,3			
	29,1	8,08	833	51,8	127,5			3,8			
12	17,4	4,83	1013	41,4	115,9	160	315L1-2	3,1	Ø260		
	25	6,94	945	48	135,2			3,3			
	29,1	8,08	908	51,4	138,9			3,8			

\* The 3rd digit of model name 'W' indicates water application. This digit can be changed suitable for other application (Refer the model identification code).  
In view of continuous developments, the information / descriptions / specifications / illustrations are subject to change without notice.

## PERFORMANCE CURVE - FHMW-45-80 (HIGH PRESSURE)

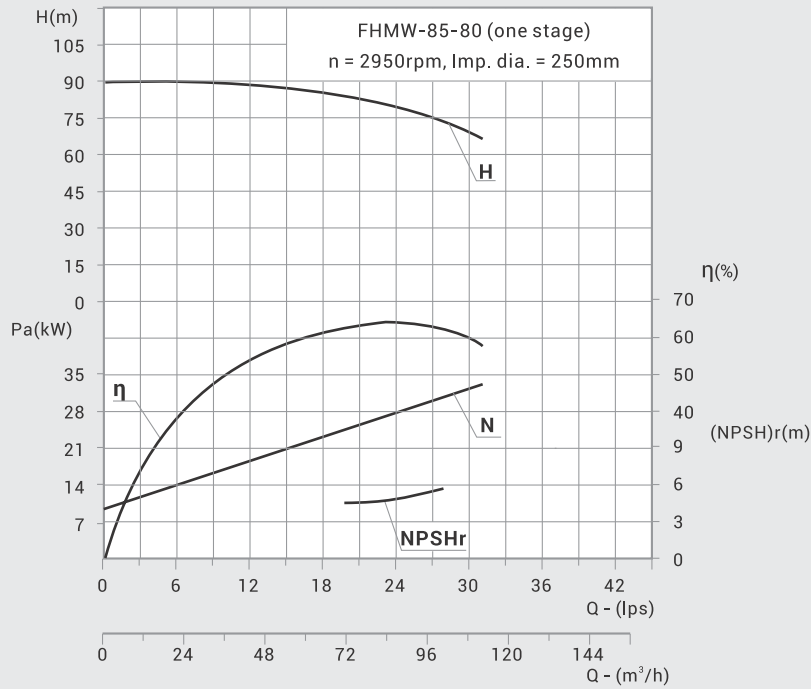


## PERFORMANCE TABLE - FHMW-45-80 (HIGH PRESSURE)

Stage	Q Flow		H Head (m)	n Speed (rpm)	η Eff. (%)	N Shaft Power (kW)	Motor		(NPSH)r (m)	D Impeller Diameter (mm)
	(m³/h)	(L/s)					Power (kW)	Frame Size - Pole		
6	36	10	502	2950	50	98,4	160	315L1-2	3,9	Ø260
	45	12,5	480		55	107			4,0	
	62	17,2	409		56	123,3			5,5	
7	36	10	585,6		50	114,8	160	315L1-2	3,9	
	45	12,5	560		55	124,8			4,0	
	62	17,2	447,2		56	143,9			5,5	
8	36	10	669,2		50	131,2	200	315L2-2	3,9	
	45	12,5	640		55	142,6			4,0	
	62	17,2	545,2		56	164,4			5,5	
9	36	10	752,8		50	147,6	220	3551-2/6kV	3,9	
	45	12,5	720		55	160,4			4,0	
	62	17,2	613,6		56	186			5,5	
10	36	10	836,4	50	164	220	3551-2/6kV	3,9		
	45	12,5	800	55	178,3			4,0		
	62	17,2	681,8	56	205,3			5,5		
11	36	10	920	50	180,4	250	3552-2/6kV	3,9		
	45	12,5	880	55	196,4			4,0		
	62	17,2	750	56	225,9			5,5		
12	36	10	1003,6	50	196,8	280	3553-2/6kV	3,9		
	45	12,5	960	55	213,9			4,0		
	62	17,2	818,2	56	246,7			5,5		

\* The 3rd digit of model name 'W' indicates water application. This digit can be changed suitable for other application (Refer the model identification code).  
In view of continuous developments, the information / descriptions / specifications / illustrations are subject to change without notice.

## PERFORMANCE CURVE - FHMW-85-80 (HIGH PRESSURE)

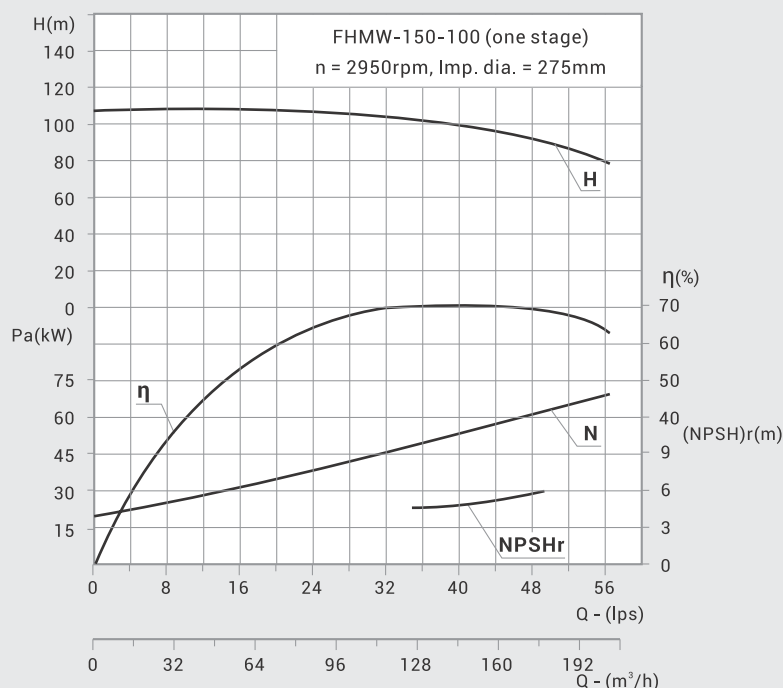


## PERFORMANCE TABLE - FHMW-85-80 (HIGH PRESSURE)

Stage	Q Flow		H Head (m)	n Speed (rpm)	η Eff. (%)	N Shaft Power (kW)	Motor		(NPSH)r (m)	D Impeller Diameter (mm)
	(m³/h)	(L/s)					Power (kW)	Frame Size - Pole		
7	54	15	616	2950	53	170,9	250	3552-2/6kV	3,5	Ø250
	85	23,6	560		65	199,3			4,5	
	108	30	490		66	218,4			4,3	
8	54	15	704		53	195,3	280	3553-2/6kV	3,5	
	85	23,6	640		65	227,8			4,5	
	108	30	560		66	249,6			4,3	
9	54	15	792		53	219,8	355	3555-2/6kV	3,5	
	85	23,6	720		65	256,3			4,5	
	108	30	630		66	280,7			4,3	
10	54	15	880		53	244,2	355	3555-2/6kV	3,5	
	85	23,6	800		65	284,8			4,5	
	108	30	700		66	311,9			4,3	
11	54	15	968	53	268,6	400	3556-2/6kV	3,5		
	85	23,6	880	65	313,2			4,5		
	108	30	770	66	343			4,3		
12	54	15	1056	53	293	450	4001-2/6kV	3,5		
	85	23,6	960	65	341,7			4,5		
	108	30	840	66	374,3			4,3		

\* The 3rd digit of model name 'W' indicates water application. This digit can be changed suitable for other application (Refer the model identification code).  
In view of continuous developments, the information / descriptions / specifications / illustrations are subject to change without notice.

## PERFORMANCE CURVE - FHMW-150-100 (HIGH PRESSURE)



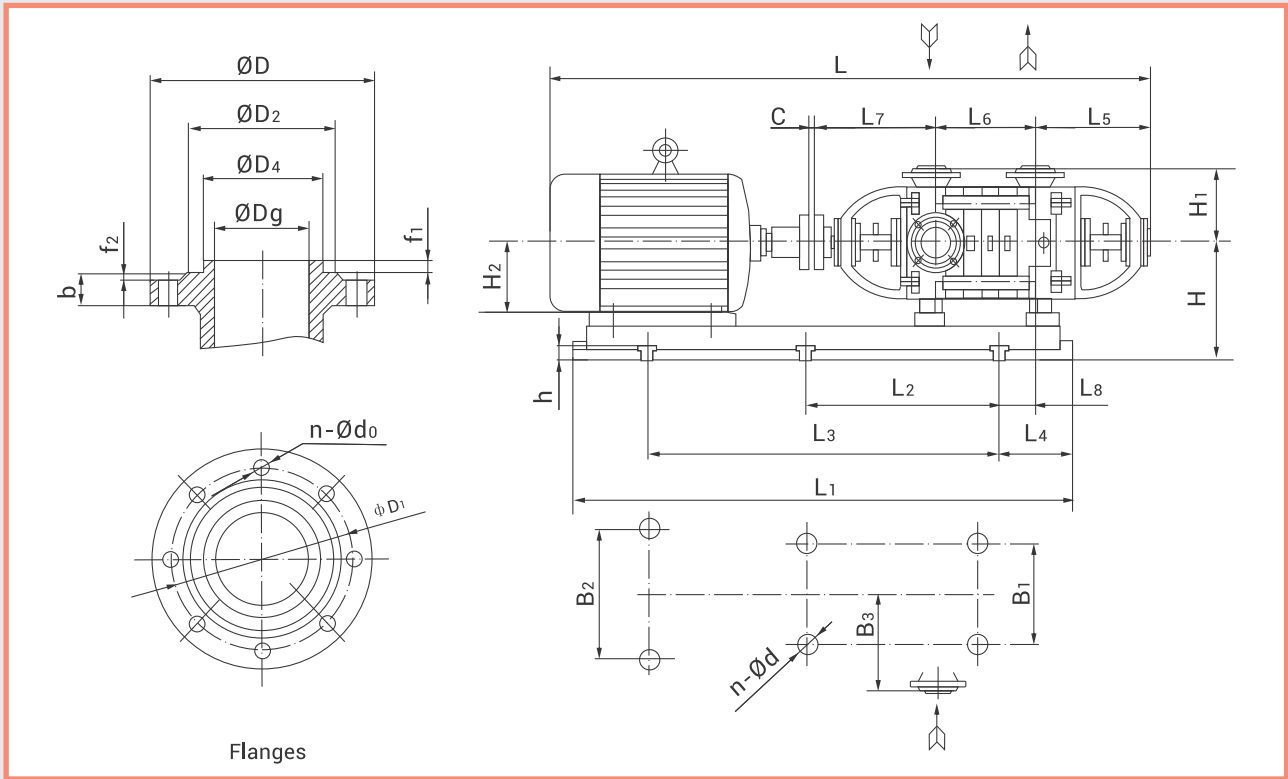
## PERFORMANCE TABLE - FHMW-150-100 (HIGH PRESSURE)

Stage	Q Flow		H Head (m)	n Speed (rpm)	η Eff. (%)	N Shaft Power (kW)	Motor		(NPSH)r (m)	D Impeller Diameter (mm)
	(m³/h)	(L/s)					Power (kW)	Frame Size - Pole		
6	120	33,3	630	2950	67	307	440	JK134-2/6kV	3,4	Ø275
	150	41,6	591		70	345			4,8	
	180	50	540		72	368			5,5	
7	120	33,3	735		67	358,5	500	JK500-2/6kV	3,4	
	150	41,6	689,5		70	402,5			4,8	
	180	50	630		72	429			5,5	
8	120	33,3	840		67	410	630	JK630-2/6kV	3,4	
	150	41,6	788		70	460			4,8	
	180	50	720		72	490			5,5	
9	120	33,3	945		67	461	630	JK630-2/6kV	3,4	
	150	41,6	886,5	70	517,5	4,8				
	180	50	810	72	551,5	5,5				
10	120	33,3	1050	67	512	800	JK800-2/6kV	3,4		
	150	41,6	985	70	575			4,8		
	180	50	900	72	613			3,5		

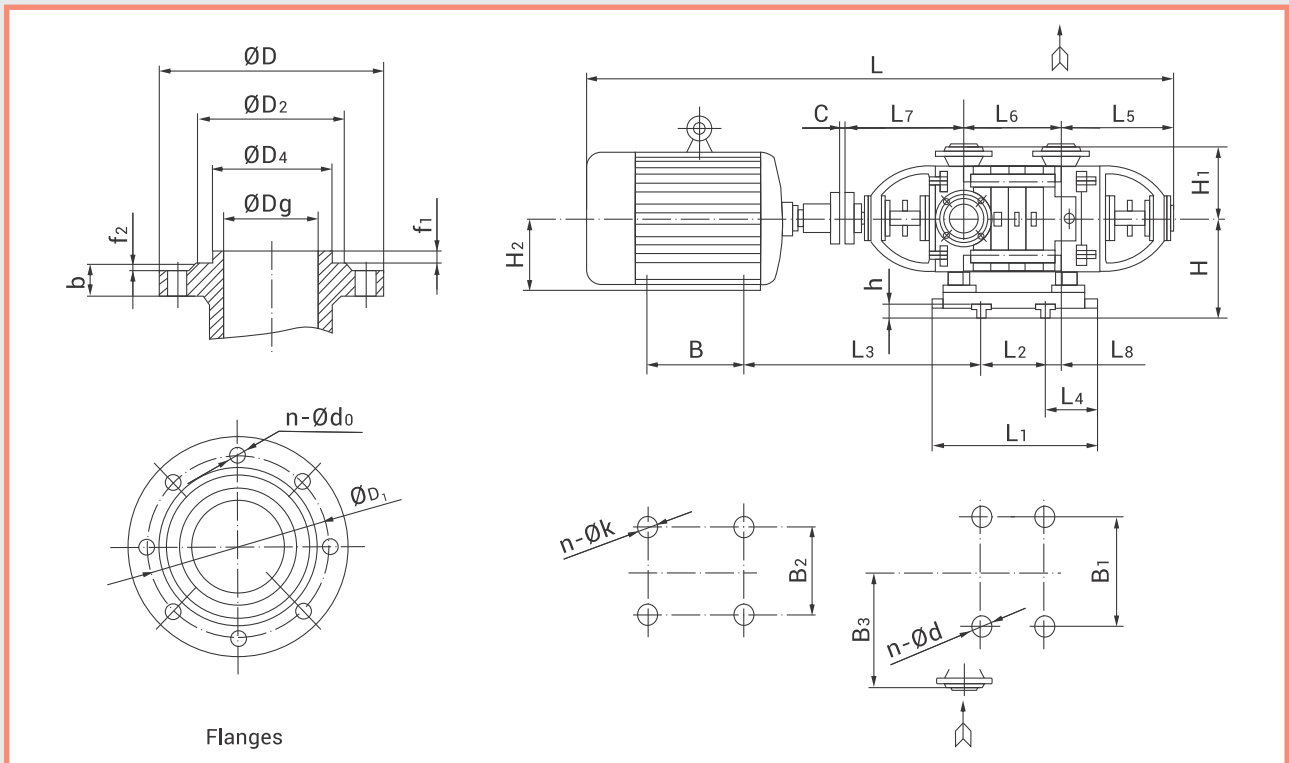
\* The 3rd digit of model name 'W' indicates water application. This digit can be changed suitable for other application (Refer the model identification code).  
In view of continuous developments, the information / descriptions / specifications / illustrations are subject to change without notice.



## OVERALL DIMENSION DRAWING (PUMP + MOTOR)



## OVERALL DIMENSION DRAWING (PUMP)



In view of continuous developments, the information / descriptions / specifications / illustrations are subject to change without notice.

## OVERALL DIMENSIONS

### FHMW-6-25 (PUMP + MOTOR)

Stage	L	L <sub>1</sub>	L <sub>2</sub>	L <sub>3</sub>	L <sub>4</sub>	L <sub>5</sub>	L <sub>6</sub>	L <sub>7</sub>	L <sub>8</sub>	C	B <sub>1</sub>	B <sub>2</sub>	B <sub>3</sub>	H	H <sub>1</sub>	H <sub>2</sub>	h	n-Ød							
2	1047	855	—	575	145	240	130	275	85	2	350	350	170	170	170	100	30	4-Ø24							
3	1192	965		645	190		180		55		370	370				275			410	480	460	260	270	160	132
4	1242						230		105																
5	1292						280		155																
6	1478	1215		820	230		330		105		360	430				260			410	480	460	280	160	160	35
7	1528						380		155																
8	1578						430		170																
9	1628	1430		920	300		480		170		365	460				270			305	545	470	330	225	250	40
10	1723						530		170																
11	1773						580		220																
12	1823	1500		990	350		630		270		365	460				280			330	595	460	350	250	280	45

### FHMW-6-50 (PUMP + MOTOR)

Stage	L	L <sub>1</sub>	L <sub>2</sub>	L <sub>3</sub>	L <sub>4</sub>	L <sub>5</sub>	L <sub>6</sub>	L <sub>7</sub>	L <sub>8</sub>	C	B <sub>1</sub>	B <sub>2</sub>	B <sub>3</sub>	H	H <sub>1</sub>	H <sub>2</sub>	h	n-Ød								
2	1407	1170	—	840	190	284	160	343	5	2	480	480	215	215	215	160	35	4-Ø24								
3	1467						220		70										460	460	260	180				
4	1572						1230		845														210	280	140	
5	1654			1310	880		240		340		190															
6	1822			1650	990		415		400		155	445				510			280	305	545	470	330	225	250	
7	1882								460		215															
8	1942								520		275															
9	2002			1750	1305		220		580		335	460				595			330	460	595	460	595	330	250	
10	2097								640		155															
11	2157								700		215															
12	2335			2000	600		1200		400		760	329				460			595	330	595	460	595	330	250	6-Ø30

### FHMW-12-25 (PUMP + MOTOR)

Stage	L	L <sub>1</sub>	L <sub>2</sub>	L <sub>3</sub>	L <sub>4</sub>	L <sub>5</sub>	L <sub>6</sub>	L <sub>7</sub>	L <sub>8</sub>	C	B <sub>1</sub>	B <sub>2</sub>	B <sub>3</sub>	H	H <sub>1</sub>	H <sub>2</sub>	h	n-Ød								
2	1067	965	—	645	190	240	130	275	-5	2	370	370	170	170	170	132	30	4-Ø24								
3	1192						180		55										360	440	255	160				
4	1378						230		75																	
5	1428			280	125																					
6	1478			1215	820		230		330		105	360				430			270	305	545	470	330	225	250	
7	1528								380		155															
8	1623								430		170															
9	1673			1430	920		300		480		170	365				470			280	330	545	460	500	350	200	
10	1743								530		185															
11	1793								580		235															
12	1952			1640	965		445		630		365	350				500			350	350	500	350	500	350	200	45

### FHMW-12-50 (PUMP + MOTOR)

Stage	L	L <sub>1</sub>	L <sub>2</sub>	L <sub>3</sub>	L <sub>4</sub>	L <sub>5</sub>	L <sub>6</sub>	L <sub>7</sub>	L <sub>8</sub>	C	B <sub>1</sub>	B <sub>2</sub>	B <sub>3</sub>	H	H <sub>1</sub>	H <sub>2</sub>	h	n-Ød								
2	1412	1230	—	845	210	284	160	345	15	5	460	460	215	215	215	160	30	4-Ø24								
3	1517						220		75										465	465	260	180				
4	1597						1310		280														130			
5	1762			340	120																					
6	1822			1650	990		415		400		185	445				510			280	315	545	470	545	315	225	250
7	1882								460		245															
8	1982								520		-5															
9	2042			1750	1305		220		580		55	460				595			330	330	545	460	645	360	280	
10	2204								640		288															
11	2264								700		348															
12	2407			2000	600		1300		400		760	329				460			645	360	645	460	645	360	280	6-Ø30

Note: those with "-" in dimensions of "L8" means being on the other side.

In view of continuous developments, the information / descriptions / specifications / illustrations are subject to change without notice.

## OVERALL DIMENSIONS

### FHMW-25-30 (PUMP + MOTOR)

Stage	L	L <sub>1</sub>	L <sub>2</sub>	L <sub>3</sub>	L <sub>4</sub>	L <sub>5</sub>	L <sub>6</sub>	L <sub>7</sub>	L <sub>8</sub>	C	B <sub>1</sub>	B <sub>2</sub>	B <sub>3</sub>	H	H <sub>1</sub>	H <sub>2</sub>	h	n-Ød
2	1416	1170	—	840	190	285	165	345	5	5	480	480	210	260	210	160	35	4-Ø24
3	1481						230		70									
4	1591	1230		845	210		295		140		460	460						
5	1680	1310		880	240		360		190		465	465						
6	1850	1440		930	310		425		210		510	510						
7	1915	1650		990	415		490		245		445	510		280		200	35	
8	1980			555			310											
9	2045			620			375											
10	2150			1750			1305		220		685	155		470				

### FHMW-25-50 (PUMP + MOTOR)

Stage	L	L <sub>1</sub>	L <sub>2</sub>	L <sub>3</sub>	L <sub>4</sub>	L <sub>5</sub>	L <sub>6</sub>	L <sub>7</sub>	L <sub>8</sub>	C	B <sub>1</sub>	B <sub>2</sub>	B <sub>3</sub>	H	H <sub>1</sub>	H <sub>2</sub>	h	n-Ød	
3	1637	1240	—	665	280	355	250	345	175	2	500	500	300	360	270	180	40	4-Ø24	
4	1802	1430		900	250		310		100		520	520		320		200	45		
5	1862			370	160		560		560		365	225		40					
6	1962	1560		530	1060		235		430		165	530				600	350	250	
7	2137	1740		555	1120		360		490		125	500				720	430	280	
8	2267	2040		725	1470		380		550		120								
9	2327								610		110								
10	2387								670		170								
11	2497								730		230								
12	2753	2200		745	1490		370		790		270	510		730		440	315	50	6-Ø24

### FHMW-46-30 (PUMP + MOTOR)

Stage	L	L <sub>1</sub>	L <sub>2</sub>	L <sub>3</sub>	L <sub>4</sub>	L <sub>5</sub>	L <sub>6</sub>	L <sub>7</sub>	L <sub>8</sub>	C	B <sub>1</sub>	B <sub>2</sub>	B <sub>3</sub>	H	H <sub>1</sub>	H <sub>2</sub>	h	n-Ød	
2	1416	1170	—	840	190	280	165	345	5	5	485	485	210	260	210	160	40	4-Ø24	
3	1546				140		230		130							180			
4	1720	1440		930	310		295		140		465	510		280		200	30		
5	1785			360	190		465		510		315	225		35					
6	1855	1560		1110	230		425		210		510	540				330	250		30
7	1955	1750		1120	390		490		50		460	610				360	280		
8	2135						555		260		480	610		330		250			
9	2200						620		325		470	660		360		280			
10	2335						1910		1240		410	685		340		470	660		360

### FHMW-46-50 (PUMP + MOTOR)

Stage	L	L <sub>1</sub>	L <sub>2</sub>	L <sub>3</sub>	L <sub>4</sub>	L <sub>5</sub>	L <sub>6</sub>	L <sub>7</sub>	L <sub>8</sub>	C	B <sub>1</sub>	B <sub>2</sub>	B <sub>3</sub>	H	H <sub>1</sub>	H <sub>2</sub>	h	n-Ød		
2	1682	1430	—	900	250	355	190	345	-15	2	520	520	300	320	270	200	45	4-Ø24		
3	1742						250		45											
4	1842	1560		530	1060		235		310		0	560		560		365	225		40	
5	2017	1740		555	1115		360		370		100	530		600		350	250			
6	2147	2040		725	1470		380		430		-30	500		720		300	430	270		280
7	2257								490		60									
8	2317								550		120									
9	2573								610		110									
10	2703	2200		745	1490		370		670		170	510		730		440	315	50		
11	2763								730		230									
12	2823								790		270									

Note: those with "-" in dimensions of "L8" means being on the other side.

In view of continuous developments, the information / descriptions / specifications / illustrations are subject to change without notice.

## OVERALL DIMENSIONS

### FHMW-85-45 (PUMP + MOTOR)

Stage	L	L <sub>1</sub>	L <sub>2</sub>	L <sub>3</sub>	L <sub>4</sub>	L <sub>5</sub>	L <sub>6</sub>	L <sub>7</sub>	L <sub>8</sub>	C	B <sub>1</sub>	B <sub>2</sub>	B <sub>3</sub>	H	H <sub>1</sub>	H <sub>2</sub>	h	n-Ød	
2	1641	1250	—	840	200	304	203	340	110	4	520	520	250	325	250	200	30	4-Ø24	
3	1870	1520	—	1040	230		277		130		530	635				360	250		40
4	2014	1690	560	1120	310		351		145		520	670				385	280		35
5	2137						425		205										

### FHMW-85-45 (PUMP)

Stage	L	L <sub>1</sub>	L <sub>2</sub>	L <sub>3</sub>	L <sub>4</sub>	L <sub>5</sub>	L <sub>6</sub>	L <sub>7</sub>	L <sub>8</sub>	C	B	B <sub>1</sub>	B <sub>2</sub>	B <sub>3</sub>	H	H <sub>1</sub>	H <sub>2</sub>	h	n-Ød	4-ØK	
4	2014	600	330	707	135	304	351	340	3	4	368	520	460	250	345	250	280	40	4-Ø24	Ø24	
5	2137	750	380	694	190		425		40		419	540	535							315	40
6	2408			785			499		53		406										
7	2552	821	573	90	457		520		510												
8	2626	900	525	779	190	647	61	4	457	520	510	315	40	4-Ø26	4-Ø24	Ø28					
9	2700			816		721	98														

### FHMW-85-67 (PUMP)

Stage	L	L <sub>1</sub>	L <sub>2</sub>	L <sub>3</sub>	L <sub>4</sub>	L <sub>5</sub>	L <sub>6</sub>	L <sub>7</sub>	L <sub>8</sub>	C	B	B <sub>1</sub>	B <sub>2</sub>	B <sub>3</sub>	H	H <sub>1</sub>	H <sub>2</sub>	h	n-Ød	4-ØK
3	2465	765	400	880,5	182	479	371	559	-14	4	419	600	457	350	420	350	280	50	4-Ø30	Ø24
4	2743			950,5			459		29,5		406		508							60
5	2901	945	580	994,5	182	479	547	559	73,5	4	457	600	508	350	420	350	315	50	4-Ø30	Ø28
6	2989			948,5			723		71,5											
7	3007	1125	760	992,5	182	479	723	559	71,5	4	457	600	508	350	420	350	315	60	4-Ø30	Ø28
8	3395			946,5			811		25,5											
9	3483	1125	760	990,5	182	479	899	559	69,5	4	457	600	508	350	420	350	355	60	4-Ø30	Ø28

### FHMW-120-50 (PUMP + MOTOR)

Stage	L	L <sub>1</sub>	L <sub>2</sub>	L <sub>3</sub>	L <sub>4</sub>	L <sub>5</sub>	L <sub>6</sub>	L <sub>7</sub>	L <sub>8</sub>	C	B <sub>1</sub>	B <sub>2</sub>	B <sub>3</sub>	H	H <sub>1</sub>	H <sub>2</sub>	h	n-Ød	
2	1912	1430	—	900	265	304	260,5	353,5	202	4	595	595	300	350	435	1316	250	4-Ø28	
3	2119	1635	—	1000	347,5		237		545		650	385					280		
4	2466	1895	500	1200	434,5		337		550		750	485					355		280
5	2553				521,5													735	
6	2640	2210	550	1350	400	304	608,5	353,5	337	4	550	750	300	435	1316	315	355	50	6-Ø40
7	2727						695,5												
8	2814	2370	800	1600	400	304	782,5	353,5	337	4	550	750	300	435	1316	315	355	50	6-Ø40
9	2901						869,5												

### FHMW-155-30 (PUMP + MOTOR)

Stage	L	L <sub>1</sub>	L <sub>2</sub>	L <sub>3</sub>	L <sub>4</sub>	L <sub>5</sub>	L <sub>6</sub>	L <sub>7</sub>	L <sub>8</sub>	C	B <sub>1</sub>	B <sub>2</sub>	B <sub>3</sub>	H	H <sub>1</sub>	H <sub>2</sub>	h	n-Ød	
2	1916	1980	680	1350	315	365	310	388	-25	4	660	660	350	400	350	315	225	35	6-Ø26
3	2186						425		90								280		
4	2351						540		210										
5	2710						2400		750								1500	530	365
6	2897	770	345																
7	3014	885	460																

Note: those with "-" in dimensions of "L8" means being on the other side.

In view of continuous developments, the information / descriptions / specifications / illustrations are subject to change without notice.

## OVERALL DIMENSIONS

### FHMW-155-30 (PUMP)

Stage	L	L <sub>1</sub>	L <sub>2</sub>	L <sub>3</sub>	L <sub>4</sub>	L <sub>5</sub>	L <sub>6</sub>	L <sub>7</sub>	L <sub>8</sub>	C	B	B <sub>1</sub>	B <sub>2</sub>	B <sub>3</sub>	H	H <sub>1</sub>	H <sub>2</sub>	h	n-Ød	4-ØK													
2	1916	740	450	605	140	365	310	388	-70	4	311	600	356	350	400	350	225	50	4-Ø26	Ø24													
3	2186			746			425		-12,5		368		457				280																
4	2351			804			540		45		419		406				315																
5	2710	1060	805	811			145	418	655		70	5	406				580	508	350	400	350	315	40	4-Ø27	Ø28								
6	2897			868					770		12,5		457													508							
7	3014			958					885		-45		508													595	315						
8	3130	1500	1210	821					145		418		1000				-105	5				508	595	610	350	400	350	355	40	4-Ø25	Ø28		
9	3245			878									1115				-47,5					508										595	315
10	3590			903									1230				10					560										610	355

### FHMW-155-67 (PUMP)

Stage	L	L <sub>1</sub>	L <sub>2</sub>	L <sub>3</sub>	L <sub>4</sub>	L <sub>5</sub>	L <sub>6</sub>	L <sub>7</sub>	L <sub>8</sub>	C	B	B <sub>1</sub>	B <sub>2</sub>	B <sub>3</sub>	H	H <sub>1</sub>	H <sub>2</sub>	h	n-Ød	4-ØK							
3	2725	765	400	906,5	182	479	371	559	-14	4	457	600	508	355	420	350	315	50	4-Ø30	Ø28							
4	2743			950,5			45		29,5		560		315														
5	3131			995,5			547		73,5		630		610				315										
6	3219	945	580	987,5			182	479	635		27,5	5	630				600	710	355	420	350	355	50	4-Ø30	Ø28		
7	3308			1031					723		71,5		630													610	355
8	3295			985,5					811		25,5		1000													710	400
9	4634	1125	760	1095					899		69,5		1000				710	400				Ø32					

### FHMW-280-43 (PUMP)

Stage	L	L <sub>1</sub>	L <sub>2</sub>	L <sub>3</sub>	L <sub>4</sub>	L <sub>5</sub>	L <sub>6</sub>	L <sub>7</sub>	L <sub>8</sub>	C	B	B <sub>1</sub>	B <sub>2</sub>	B <sub>3</sub>	H	H <sub>1</sub>	H <sub>2</sub>	h	h <sub>1</sub>	n-Ød	4-ØK											
2	2423	735	435	773	150	384	373	388	-52	5	406	700	508	450	480	400	315	50	35	4-Ø30	Ø28											
3	2623			838			503		13		457		508				315															
4	2753			903			633		78		508		610				315															
5	3113	1125	800	821,5			162,5	384	763		-39,5	6	560				700	710	450	480	400	355	50	38	4-Ø30	Ø28						
6	3243			886,5					893		25,5		630														610	315				
7	3815			1072,5					1023		90,5		630														710	400				
8	3945	1385	1060	1007,5					162,5		384		1153				25,5	6				1000	700	710	450	480	400	400	50	38	4-Ø30	Ø35
9	4075			1072,5									1283				90,5					1000										

### FHMW-280-65 (PUMP)

Stage	L	L <sub>1</sub>	L <sub>2</sub>	L <sub>3</sub>	L <sub>4</sub>	L <sub>5</sub>	L <sub>6</sub>	L <sub>7</sub>	L <sub>8</sub>	C	B	B <sub>1</sub>	B <sub>2</sub>	B <sub>3</sub>	H	H <sub>1</sub>	H <sub>2</sub>	h	h <sub>1</sub>	n-Ød	4-ØK														
3	3214	690	310	1243	190	536	475	625	80	6	900	790	630	500	530	500	355	50	35	4-Ø40	Ø35														
4	3754	820	440	1263			605				710		400																						
5	3884	950	570	735			1000				710		400																						
6	4014	1080	700	865			190	536			865	625	80				7	1120	800	500	530	500	450	50	38	4-Ø40	Ø35								
7	4345	1210	830	995							1125																	710	400						
8	4475	1340	960	1125							1255																	710	400						
9	4605	1470	1090	1255							1385							1385	1385				1385	1385	1385	1385	1385	1385	1385	1385	1385	1385	1385	1385	1385
10	5105	1600	1220	1444																															

Note: those with "-" in dimensions of "L8" means being on the other side.

In view of continuous developments, the information / descriptions / specifications / illustrations are subject to change without notice.

## OVERALL DIMENSIONS

### FHMW-360-40 (PUMP)

Stage	L	L <sub>1</sub>	L <sub>2</sub>	L <sub>3</sub>	L <sub>4</sub>	L <sub>5</sub>	L <sub>6</sub>	L <sub>7</sub>	L <sub>8</sub>	C	B	B <sub>1</sub>	B <sub>2</sub>	B <sub>3</sub>	H	H <sub>1</sub>	H <sub>2</sub>	h	h <sub>1</sub>	n-Ød	4-ØK
2	2539	505	200	927	150	384	390	417	73	6	457	700	508	450	450	400	315	50	38	4-Ø40	Ø28
3	2909	645	340	965			530				560		610				355				
4	3049	785	480				670				630										
5	3189	925	620				810														
6	3731	1065	760	1087			950				1000		710				400				
7	3871	1205	900				1090														
8	4011	1345	1040				1230														
9	4151	1485	1180				1370														
10	4291	1626	1320	1107			1510				1120		800				450				

### FHMW-450-60 (PUMP)

Stage	L	L <sub>1</sub>	L <sub>2</sub>	L <sub>3</sub>	L <sub>4</sub>	L <sub>5</sub>	L <sub>6</sub>	L <sub>7</sub>	L <sub>8</sub>	C	B	B <sub>1</sub>	B <sub>2</sub>	B <sub>3</sub>	H	H <sub>1</sub>	H <sub>2</sub>	h	h <sub>1</sub>	n-Ød	4-ØK
3	3281	725	390	1243	170	537	574	591	11,5	7	1000	850	710	500	560	550	355	45	38	4-Ø42	Ø35
4	3844	860	541		160		727										400				
5	4197	1070	694	1263	880		800														
6	4350	1230	847		1033																
7	4503	1380	1000		1186																
8	4656	1535	1153		1339																
9	5179	1685	1306	1423	1492		900										500				
10	5331	1840	1459		1645																

### FHMW-550-50 (PUMP)

Stage	L	L <sub>1</sub>	L <sub>2</sub>	L <sub>3</sub>	L <sub>4</sub>	L <sub>5</sub>	L <sub>6</sub>	L <sub>7</sub>	L <sub>8</sub>	C	B	B <sub>1</sub>	B <sub>2</sub>	B <sub>3</sub>	H	H <sub>1</sub>	H <sub>2</sub>	h	h <sub>1</sub>	n-Ød	4-ØK
2	3448	725	390	1146,5	170	537	421	591	11,5	7	900	850	630	500	560	550	355	45	40	4-Ø42	Ø35
3	3693	860	541	1166,5	160		574				710		400								
4	3846	1075	694		727																
5	3999	1230	847		880																
6	4352	1380	1000	1186,5	190		1033				800		450								
7	4505	1535	1153		1186																
8	4658	1685	1306		1339																
9	5181	1840	1459		1346,5		1492										900				

### FHMW-650-70 (PUMP)

Stage	L	L <sub>1</sub>	L <sub>2</sub>	L <sub>3</sub>	L <sub>4</sub>	L <sub>5</sub>	L <sub>6</sub>	L <sub>7</sub>	L <sub>8</sub>	C	B	B <sub>1</sub>	B <sub>2</sub>	B <sub>3</sub>	H	H <sub>1</sub>	H <sub>2</sub>	h	h <sub>1</sub>	n-Ød	4-ØK
2	3691	697	317	1363	190	465	599	638	111	7	1000	950	710	615	620	540	400	50	40	4-Ø42	Ø35
3	3869	875	495				777				800										
4	4236	1053	673				955														
5	4414	1231	851	1383			1133				900		500								
6	4795	1409	1029				1311														
7	4973	1587	1207	1543			1489				1000		560								
8	5679	1765	1385				1568										1677				

Note: those with "-" in dimensions of "L8" means being on the other side.

In view of continuous developments, the information / descriptions / specifications / illustrations are subject to change without notice.

## OVERALL DIMENSIONS

### FHMW-740-80 (PUMP)

Stage	L	L <sub>1</sub>	L <sub>2</sub>	L <sub>3</sub>	L <sub>4</sub>	L <sub>5</sub>	L <sub>6</sub>	L <sub>7</sub>	L <sub>8</sub>	C	B	B <sub>1</sub>	B <sub>2</sub>	B <sub>3</sub>	H	H <sub>1</sub>	H <sub>2</sub>	h	h <sub>1</sub>	n-Ød	4-ØK
2	3680	697	317	1363	190	465	599	638	111	7	1000	950	710	615	620	540	400	50	40	4-Ø42	Ø35
3	4069	875	495	1383			777				1120		800				450				
4	4615	1053	673	1543			955				1250		900				500				
5	4793	1231	851	1133			1400				1000		560								
6	5321	1409	1029	1568			1311														

### FHMW-80-12 (PUMP + MOTOR)

Stage	L	L <sub>1</sub>	L <sub>2</sub>	L <sub>3</sub>	L <sub>4</sub>	L <sub>5</sub>	L <sub>6</sub>	L <sub>7</sub>	L <sub>8</sub>	C	B <sub>1</sub>	B <sub>2</sub>	B <sub>3</sub>	H	H <sub>1</sub>	H <sub>2</sub>	h	n-Ød	
2	1153	1120	—	785	180	255	195	290	-40	3	410	410	170	260	210	112	35	4-Ø24	
3	1298						265		20										132
4	1368						335		80										
5	1574	1400	—	1060	165	255	405	293	-15	3	430	430	170	280	210	160	40	4-Ø24	
6	1644						475		55										
7	1714	1580	—	1065	345	255	545	293	140	3	430	430	170	270	210	160	45	4-Ø24	
8	1784						615		210										
9	1899						685		270										

### FHMW-80-30 (PUMP + MOTOR)

Stage	L	L <sub>1</sub>	L <sub>2</sub>	L <sub>3</sub>	L <sub>4</sub>	L <sub>5</sub>	L <sub>6</sub>	L <sub>7</sub>	L <sub>8</sub>	C	B <sub>1</sub>	B <sub>2</sub>	B <sub>3</sub>	H	H <sub>1</sub>	H <sub>2</sub>	h	n-Ød
3	1449	1140	—	785	200	245	229	300	120	2	440	440	200	280	205	160	30	4-Ø24
4	1530	1200			215		290		140					275		180		
5	1698	1415			1010		195		351					50		200		
6	1759		412	110	300	110	300	200	40									
7	1860	1520	665	1330	265	245	473	300	165	2	440	540	200	335	205	225	45	4-Ø24
8	2036	534			60													
9	2097	595			90													
10	2158	1820	665	1330	240	245	656	150	150	2	455	600	200	350	205	250	40	4-Ø24

### FHMW-100-16 (PUMP + MOTOR)

Stage	L	L <sub>1</sub>	L <sub>2</sub>	L <sub>3</sub>	L <sub>4</sub>	L <sub>5</sub>	L <sub>6</sub>	L <sub>7</sub>	L <sub>8</sub>	C	B <sub>1</sub>	B <sub>2</sub>	B <sub>3</sub>	H	H <sub>1</sub>	H <sub>2</sub>	h	n-Ød		
2	1260	1010	—	635	190	275	229	266	135	2	500	500	220	250	230	132	40	4-Ø27		
3	1470	1260		850	190		306		35					480		480		285	160	4-Ø25
4	1589			383	110		295		180					4-Ø23						
5	1696	1415	—	1020	205	275	460	276	50	2	450	450	220	295	230	180	40	4-Ø23		
6	1773						537		-45										325	
7	1967	1820	665	1000	410	275	614	288	225	2	545	545	220	300	230	200	40	4-Ø26		
8	2046						691		275											
9	2123						768		315											

### FHMW-100-45 (PUMP + MOTOR)

Stage	L	L <sub>1</sub>	L <sub>2</sub>	L <sub>3</sub>	L <sub>4</sub>	L <sub>5</sub>	L <sub>6</sub>	L <sub>7</sub>	L <sub>8</sub>	C	B <sub>1</sub>	B <sub>2</sub>	B <sub>3</sub>	H	H <sub>1</sub>	H <sub>2</sub>	h	n-Ød
2	1641	1250	—	840	200	304	203	340	110	4	520	520	250	325	250	200	30	4-Ø24
3	1870	1520		1040	230		277		130		530	635		360		250	40	
4	2014	1690		560	1120		310		304		351	340		145		4	520	670
5	2137		425			205												

Note: those with "-" in dimensions of "L8" means being on the other side.

In view of continuous developments, the information / descriptions / specifications / illustrations are subject to change without notice.

## OVERALL DIMENSIONS

### FHMW-100-45 (PUMP)

Stage	L	L <sub>1</sub>	L <sub>2</sub>	L <sub>3</sub>	L <sub>4</sub>	L <sub>5</sub>	L <sub>6</sub>	L <sub>7</sub>	L <sub>8</sub>	C	B	B <sub>1</sub>	B <sub>2</sub>	B <sub>3</sub>	H	H <sub>1</sub>	H <sub>2</sub>	h	n-Ød	4-ØK
4	2014	600	330	707	135	304	351	340	3	4	368	520	460	250	345	250	280	40	4-Ø24	Ø24
5	2137	750	380	694	425		40		419		540	535								
6	2408			785	499		53		406				520							510
7	2552	900	525	821	573		90		457		520	510								
8	2626			779	647		61													
9	2700			816	721		98													

### FHMW-125-25 (PUMP + MOTOR)

Stage	L	L <sub>1</sub>	L <sub>2</sub>	L <sub>3</sub>	L <sub>4</sub>	L <sub>5</sub>	L <sub>6</sub>	L <sub>7</sub>	L <sub>8</sub>	C	B <sub>1</sub>	B <sub>2</sub>	B <sub>3</sub>	H	H <sub>1</sub>	H <sub>2</sub>	h	n-Ød		
2	1477	1180	—	740	210	245	262	287	125	2	520	520	280	335	300	180	40	4-Ø24		
3	1676	1480		1010	250		352		45		555	555							315	200
4	1766			442	135		560		560		365	225								
5	1906	1560		530	1060		235		532		115	530							600	350
6	2111	1740	555	1115	360		622	275	610		705	395						280	60	6-Ø24
7	2271	2210	700	1410	380		712	297	160											
8	2361						802	215												
9	2501						892	295	4											

### FHMW-150-30 (PUMP + MOTOR)

Stage	L	L <sub>1</sub>	L <sub>2</sub>	L <sub>3</sub>	L <sub>4</sub>	L <sub>5</sub>	L <sub>6</sub>	L <sub>7</sub>	L <sub>8</sub>	C	B <sub>1</sub>	B <sub>2</sub>	B <sub>3</sub>	H	H <sub>1</sub>	H <sub>2</sub>	h	n-Ød											
2	1916	1980	680	1350	315	365	310	388	-25	4	660	660	350	400	350	225	35	6-Ø26											
3	2186						425		90										280										
4	2351						540		210										280										
5	2710						655		230										315										
6	2897						2400		750										1500	530	770	418	345	580	720	350	445	350	315
7	3014						885		460																				

### FHMW-150-30 (PUMP)

Stage	L	L <sub>1</sub>	L <sub>2</sub>	L <sub>3</sub>	L <sub>4</sub>	L <sub>5</sub>	L <sub>6</sub>	L <sub>7</sub>	L <sub>8</sub>	C	B	B <sub>1</sub>	B <sub>2</sub>	B <sub>3</sub>	H	H <sub>1</sub>	H <sub>2</sub>	h	n-Ød	4-ØK
2	1916	740	450	605	140	365	310	388	-70	4	311	600	356	350	400	350	225	50	4-Ø26	Ø24
3	2186			746			425		-12,5		368		457				280			
4	2351			804			540		45		419		457				280			
5	2710			811			655		70		406		580				315			
6	2897	1060	805	770	12,5		457	508	315		40	Ø28								
7	3014	1500	1210	958	145		885	418	-45				5				508	595	610	355
8	3130			821			1000	-105												
9	3245			878			1115	-47,5												
10	3590	903	1230	10																

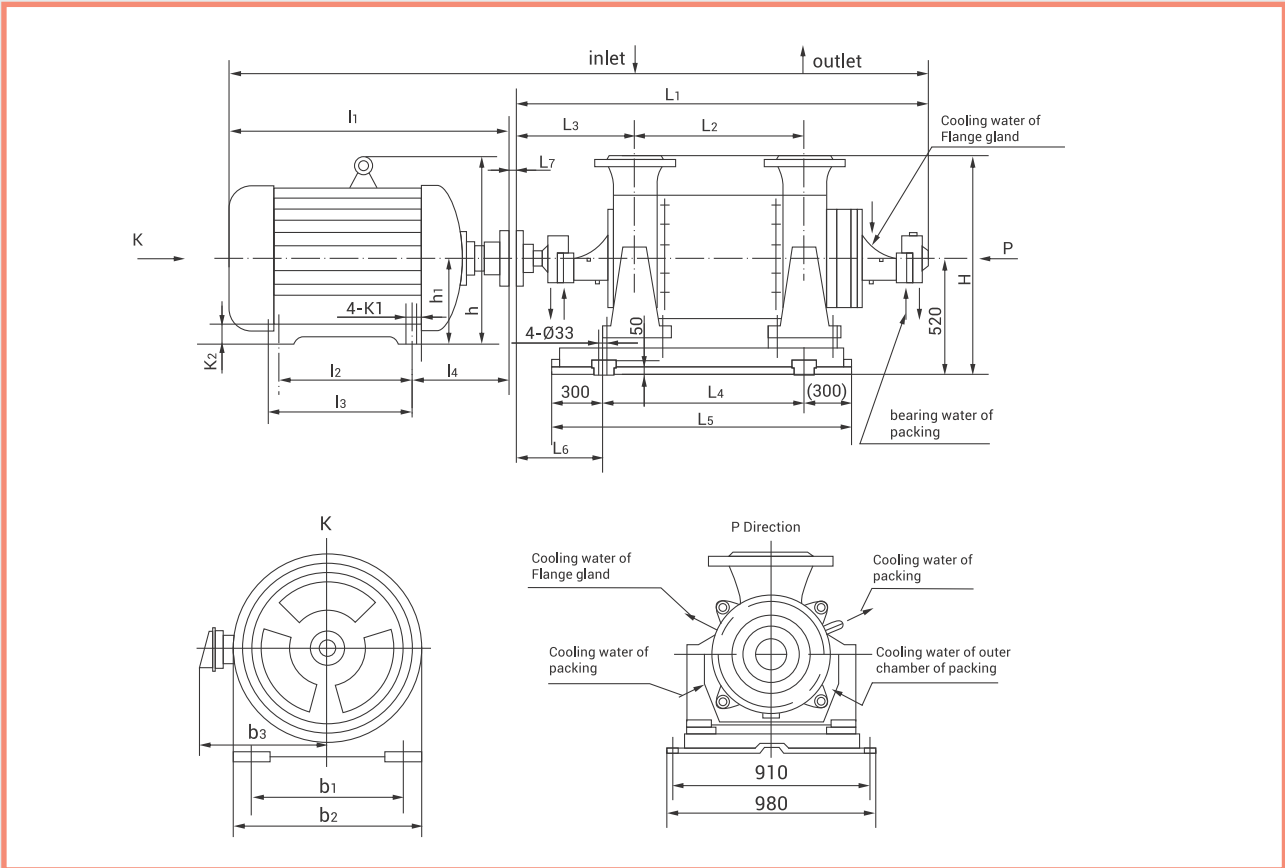
Note: those with "-" in dimensions of "L8" means being on the other side.

In view of continuous developments, the information / descriptions / specifications / illustrations are subject to change without notice.

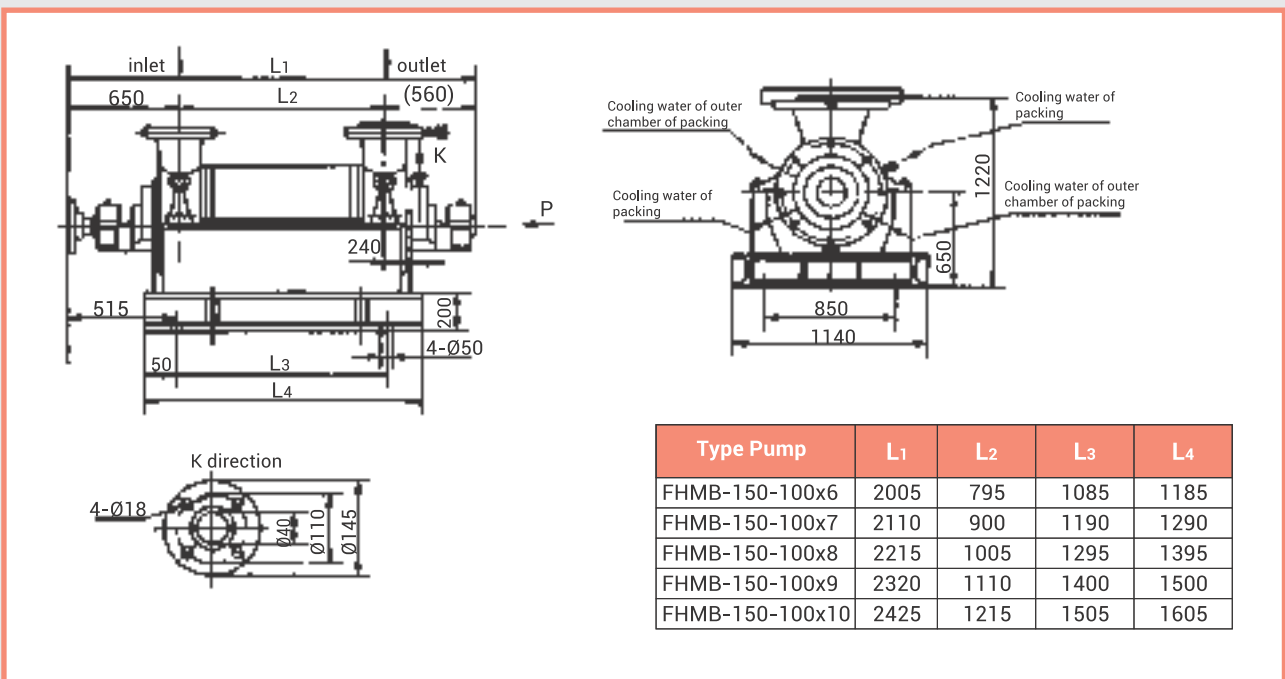


## OVERALL DIMENSION DRAWING (HIGH PRESSURE)

FHMB-25-80, 45-80, 85-80



FHMB-150-100



In view of continuous developments, the information / descriptions / specifications / illustrations are subject to change without notice.

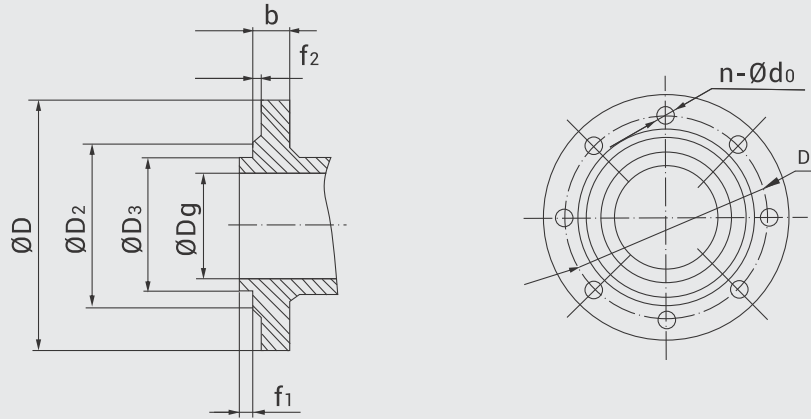
## OVERALL DIMENSIONS (HIGH PRESSURE)

FHMB-25-80, 45-80, 85-80

Pump type	Pump Part									Motor Part												
	L	L <sub>1</sub>	L <sub>2</sub>	L <sub>3</sub>	L <sub>4</sub>	L <sub>5</sub>	L <sub>6</sub>	L <sub>7</sub>	H	l <sub>1</sub>	l <sub>2</sub>	l <sub>3</sub>	l <sub>4</sub>	b <sub>1</sub>	b <sub>2</sub>	b <sub>3</sub>	h	h <sub>1</sub>	k <sub>1</sub>	k <sub>2</sub>		
FHMB-25-80x6	2480	1426	536	439	432	1032	532	4	870	1310	508	650	356	508	744	645	865	315	28	40	24	30
FHMB-25-80x7	2559	1505	615																			
FHMB-25-80x8	2828	1584	694		590	1190																
FHMB-25-80x9	2977	1663	773																			
FHMB-25-80x10	3056	1742	852		827	1427																
FHMB-25-80x11	3135	1821	931																			
FHMB-25-80x12	3214	1900	1010																			
FHMB-45-80x6	2740	1426	536	439	432	1032	643	5	880	1870	900	1510	485	630	770	800	1170	355	28	40	24	30
FHMB-45-80x7	2819	1505	615																			
FHMB-45-80x8	2898	1584	694		590	1190																
FHMB-45-80x9	3537	1663	773																			
FHMB-45-80x10	3616	1742	852		827	1427																
FHMB-45-80x11	3695	1821	931																			
FHMB-45-80x12	3774	1900	1010																			
FHMB-85-80x7	3575	1700	630	543	432	1032	643	5	880	1870	900	1510	485	630	770	800	1170	355	28	40	24	30
FHMB-85-80x8	3655	1780	710																			
FHMB-85-80x9	3735	1860	790																			
FHMB-85-80x10	3815	1940	870		827	1427																
FHMB-85-80x11	3895	2020	950																			
FHMB-85-80x12	3975	2100	1030																			

In view of continuous developments, the information / descriptions / specifications / illustrations are subject to change without notice.

## INLET AND OUTLET FLANGES DIMENSIONS



Pump type	Inlet flange								Outlet flange								
	Dg	D	D1	D2	D3	b	f1/f2	n-Ød	Dg	D	D1	D2	D3	b	f1/f2	n-Ød	
FHMW FHMA FHML FHMB	6-25	40	130	100	80	—	16	-/3	4-13,5	40	150	110	88	75	20	4/3	4-17,5
FHMW FHMA FHML FHMB	6-50	50	160	110	90	—	30	-/3	4-13,5	50	175	135	105	87	28	4/3	4-23
FHMW FHMA FHML FHMB	12-25	50	140	110	90	—	16	-/3	4-13,5	40	150	110	88	75	20	4/3	4-17,5
FHMW FHMA FHML FHMB	12-50	50	160	110	90	—	30	-/3	4-13,5	50	175	135	105	87	28	4/3	4-23
FHMW FHMA FHML FHMB	25-30	65	160	130	110	—	16	-/3	4-13,5	65	185	145	122	109	24	4/3	8-17,5
FHMW FHMA FHML FHMB	25-50	80	190	150	128	—	18	-/3	4-17,5	80	215	170	133	120	30	4/3	8-22
		80	215	170	133	120	30	4/3	8-22								
FHMW FHMA FHML FHMB	46-30	80	190	150	128	—	18	-/3	4-17,5	65	185	145	122	109	24	4/3	8-17,5
FHMW FHMA FHML FHMB	46-50	80	190	150	128	—	18	-/3	4-17,5	80	215	170	133	120	30	4/3	8-22
		80	215	170	133	120	30	4/3	8-22								
FHMW FHMA FHML FHMB	85-45	100	210	170	148	—	18	-/3	4-17,5	100	235	190	158	149	28	4,5/3	8-22

In view of continuous developments, the information / descriptions / specifications / illustrations are subject to change without notice.

## INLET AND OUTLET FLANGES DIMENSIONS

Pump type	Inlet flange								Outlet flange								
	Dg	D	D <sub>1</sub>	D <sub>2</sub>	D <sub>3</sub>	b	f <sub>1</sub> /f <sub>2</sub>	n-Ød	Dg	D	D <sub>1</sub>	D <sub>2</sub>	D <sub>3</sub>	b	f <sub>1</sub> /f <sub>2</sub>	n-Ød	
FHMW FHMA FHML FHMB	85-67	150	265	225	202	—	20	-/3	8-17,5	150	345	280	212	203	33	4,5/3	8-33
		150	345	280	212	203	33	4,5/3	8-33								
FHMW FHMA FHML FHMB	120-50	125	240	200	178	—	20	-/3	8-17,5	125	270	220	184	175	30	4,5/3	8-26
FHMW FHMA FHML FHMB	155-30	150	285	240	212	—	26	-/3	8-22	150	300	250	212	203	34	4,5/3	8-26
FHMW FHMA FHML FHMB	155-67	150	265	225	205	—	20	-/3	8-17,5	150	345	280	212	203	33	4,5/3	8-33
		150	345	280	212	203	33	4,5/3	8-33								
FHMW FHMA FHML	280-43	200	340	295	268	—	28	-/3	8-22	200	375	320	285	259	38	4,5/3	12-30
FHMW FHMA FHML	280-65	200	340	295	268	—	30	-/3	12-22	200	415	345	285	259	44	4,5/3	12-36
FHMW FHMA FHML	360-40	200	340	295	268	—	28	-/3	8-22	200	375	320	285	259	38	4,5/3	12-30
FHMW FHMA FHML	450-60	250	405	355	320	—	32	-/3	12-26	250	470	400	345	312	48	4,5/3	12-36
FHMW FHMA FHML	550-50	250	405	355	320	—	32	-/3	12-26	250	470	400	345	312	48	4,5/3	12-36
FHMW FHMA FHML	650-70	300	530	460	412	—	32	-/3	16-41	300	585	500	442	—	48	4,5/3	16-48
FHMW FHMA FHML	740-80	300	530	460	412	—	32	-/3	16-41	300	585	500	442	—	48	4,5/3	16-48
FHMW FHMA FHML	80-12	80	190	150	128	—	18	-/3	4-17,5	80	200	160	133	—	26	-/3	8-17,5
FHMW FHMA FHML	80-30	80	195	160	135	—	22	-/3	4-17,5	80	200	160	133	—	26	-/3	8-17,5
FHMW FHMA FHML	100-16	100	210	170	148	—	18	-/3	4-17,5	100	220	180	158	—	24	-/3	8-17,5
FHMW FHMA FHML	100-45	100	210	170	148	—	18	-/3	4-17,5	100	235	190	158	149	28	4,5/3	8-22
FHMW FHMA FHML	125-25	125	240	200	178	—	20	-/3	8-17,5	125	270	220	184	175	30	4,5/3	8-26
FHMW FHMA FHML	150-30	150	285	240	212	—	26	-/3	8-22	150	300	250	212	203	34	4,5/3	8-26
FHMB-25-80	80	195	160	135	—	25	-/3	8-18	65	220	170	138	109	28	4/3	8-25	
FHMB-45-80	80	195	160	135	—	25	-/3	8-18	65	265	170	138	109	28	4,5/3	8-25	
FHMB-85-80	100	215	180	155	—	25	-/3	8-18	100	350	210	172	149	34	4,5/3	8-30	
FHMB-150-100	200	360	310	278	—	34	-/3	12-23	150	350	290	250	203	46	4,5/3	12-34	

In view of continuous developments, the information / descriptions / specifications / illustrations are subject to change without notice.







**Zirantec**

**Fabbrica Italiana Pompe Sommergibili S.r.l.**

Viale Toscana, 46 - 20089 Rozzano (MI)

Tel. (+39) 02 8258923 - 02 57510371 Fax 02 57512095

E-mail: [info@fips-pumps.it](mailto:info@fips-pumps.it)

[www.zirantec.com](http://www.zirantec.com); [www.fips-pumps.it](http://www.fips-pumps.it)