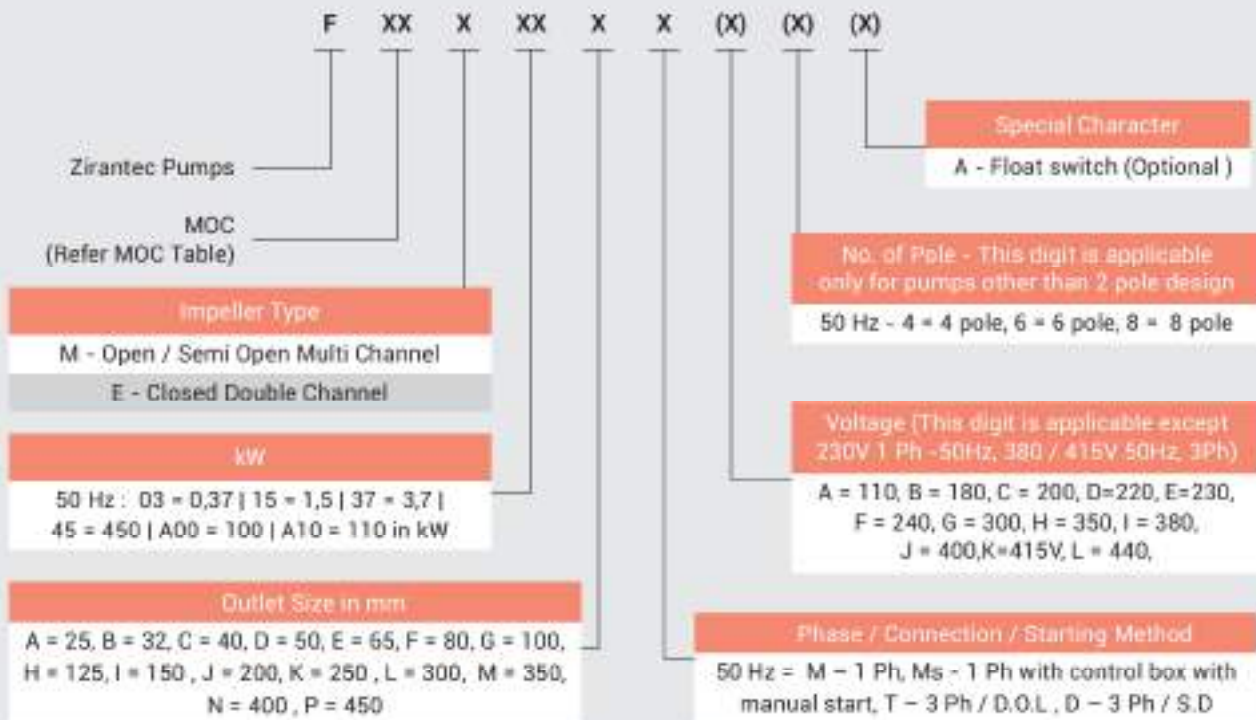


Dewatering Submersible Pumps

MODEL IDENTIFICATION CODE - FHRM SERIES



TECHNICAL SPECIFICATIONS

Power Range	0,8 to 5.6 kW
Version	0,8kW - 1Ph, 220V - 50Hz
	1.2 to 5.6kW - 3 Ph, 415V / 525V - 50Hz
Class of Insulation	H Class
Degree of Protection	IP 68
Flow	upto 220 m ³ /h
Head	upto 60 Mtrs
Motor type	Dry-Types
Min cooling flow	0.15m ³ /s
Solid Handling sizes	8 mm to 11.5 mm
Outlet sizes	2", 3", 4" & 6"

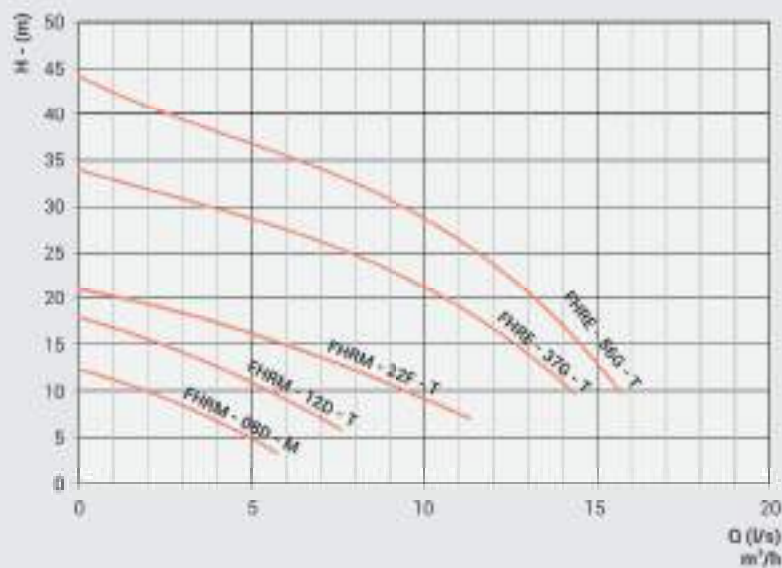
MATERIAL OF CONSTRUCTIONS

	NR	HR
Pump Casing	Aluminium	Aluminium
Pump Casing Liner	NBR	NBR
Impeller	Ni-Hard	Hi- Chrome
Motor Body	Aluminium	Aluminium
Motor Body Shell	S.S 304	S.S.304
Strainer	S.S 304	S.S.304

APPLICATIONS

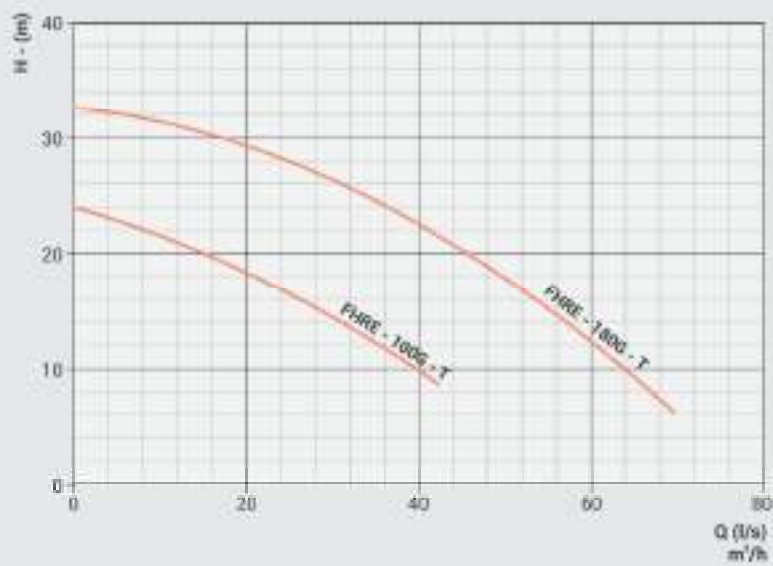
- Dewatering in minning and construction site, flood control,
- Industrial water drainage & transfer handling dirty water

Dewatering Submersible Pumps - FHRM Series



S. No.	Model	Pole	Power	Voltage / Phase	Impeller Type
1	FHRM - 080 - M	2	0.8 kW	220 V, Single Phase	Semi Open
2	FHRM - 120 - T	2	1.2 kW	415 V, Three Phase	Semi Open
3	FHRM - 22F - T	2	2.2 kW	415 V, Three Phase	Semi Open
4	FHRE - 37G - T	2	3.7 kW	415 V, Three Phase	Closed
5	FHRE - 56G - T	2	5.6 kW	415 V, Three Phase	Closed

Dewatering Submersible Pumps - FHRM Series



S. No.	Model	Pole	Power	Voltage / Phase	Impeller Type
1	FHRM 100 G-T	4	10 kW	415 V, Three Phase	Closed
2	FHRM 180 G-T	4	18 kW	415 V, Three Phase	Closed