

Light Sewage Submersible Pumps - FSL Series

SPECIFICATIONS

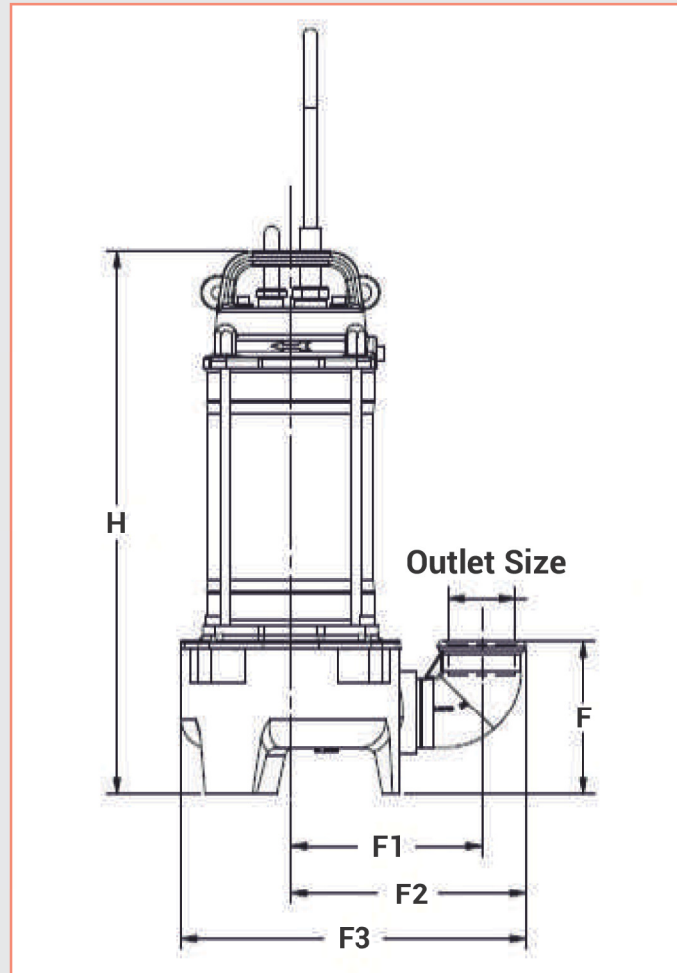
| | |
|-----------------------|---|
| Power Range | Single Phase - 0.5 - 1.5 Kw Three Phase - 0.5 - 2.2 kW |
| Speed | 2850 RPM |
| Version | Single Phase - 230V - 50Hz A.C. Supply Three Phase - 400V - 50Hz A.C. Supply |
| Degree of Protection | IP68 |
| Insulation Class | H |
| Impeller Type | Vortex |
| Motor Type | Dry |
| Duty | S1 |
| Direction of Rotation | Clock Wise from Top View |
| Max. Ambient Temp. | 40°C |
| Delivery Size | 1½" BSP 2" BSP 2½" BSP |



MATERIAL OF CONSTRUCTION

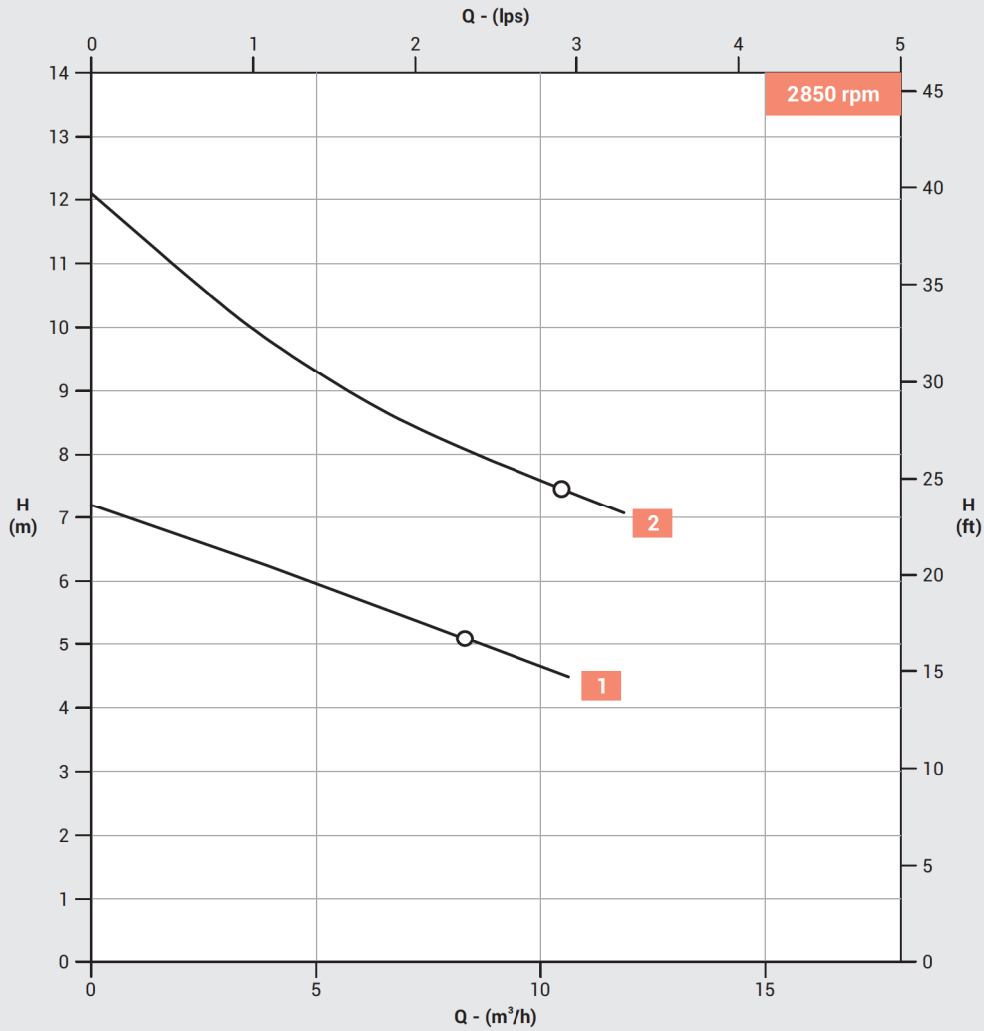
| Component Name | Material / Grade |
|-----------------|-------------------------------|
| Motor Shaft | SS AISI 420 |
| Body Tube | SS AISI 304 |
| Motor Cover | FG 260 |
| Bearing Flange | FG 260 |
| Motor Flange | FG 260 |
| Impeller | FG 260 |
| Casing | FG 260 |
| Grommet | Silicon Rubber |
| Cable Gland | Brass |
| Allen Bolt | SS AISI 304 |
| Bush | Nitrile rubber |
| Clamp | SS AISI 304 |
| Oil Seal | Nitrile Rubber |
| Mechanical Seal | C/CERAMIC//NBR/SiC/SiC/SUS304 |
| O Ring | Nitrile Rubber |
| Tie Rod | SS AISI 304 |
| Doom Nut | SS AISI 304 |

DIMENSIONAL DETAILS



| Model | Height (mm) | Outlet Size (inch) | F | F1 | F2 | F3 | F4 | F5 | F6 | kg |
|---------------|-------------|--------------------|-----|-----|-----|-----|-----|-----|----|------|
| FSL-2V-05CS-A | 365 | 1 ½" | 103 | 129 | 159 | 233 | 148 | 74 | 51 | 14,7 |
| FSL-2V-05CT | 365 | 1 ½" | 103 | 129 | 159 | 233 | 148 | 74 | 51 | 14,5 |
| FSL-2V-07CS-A | 365 | 1 ½" | 103 | 129 | 159 | 233 | 148 | 74 | 51 | 14,9 |
| FSL-2V-07CT | 365 | 1 ½" | 103 | 129 | 159 | 233 | 148 | 74 | 51 | 14,7 |
| FSL-2V-07DS-A | 410 | 2 | 153 | 150 | 186 | 288 | 205 | 103 | | 20,5 |
| FSL-2V-07DT | 410 | 2 | 153 | 150 | 186 | 288 | 205 | 103 | | 20,3 |
| FSL-2V-11DS-A | 445 | 2 | 153 | 150 | 186 | 288 | 205 | 103 | | 25,6 |
| FSL-2V-11DT | 425 | 2 | 153 | 150 | 186 | 288 | 205 | 103 | | 23,5 |
| FSL-2V-11ES-A | 470 | 2 ½" | 175 | 160 | 206 | 303 | 194 | 97 | | 25,7 |
| FSL-2V-11ET | 450 | 2 ½" | 175 | 160 | 206 | 303 | 194 | 97 | | 23,6 |
| FSL-2V-15DS-A | 446 | 2 | 153 | 150 | 186 | 288 | 205 | 103 | | 23,1 |
| FSL-2V-15DT | 446 | 2 | 153 | 150 | 186 | 288 | 205 | 103 | | 22,9 |
| FSL-2V-22DT | 445 | 2 | 153 | 150 | 186 | 288 | 205 | 103 | | 25,7 |
| FSL-2V-22ET | 470 | 2 ½" | 175 | 160 | 206 | 303 | 194 | 97 | | 26,7 |

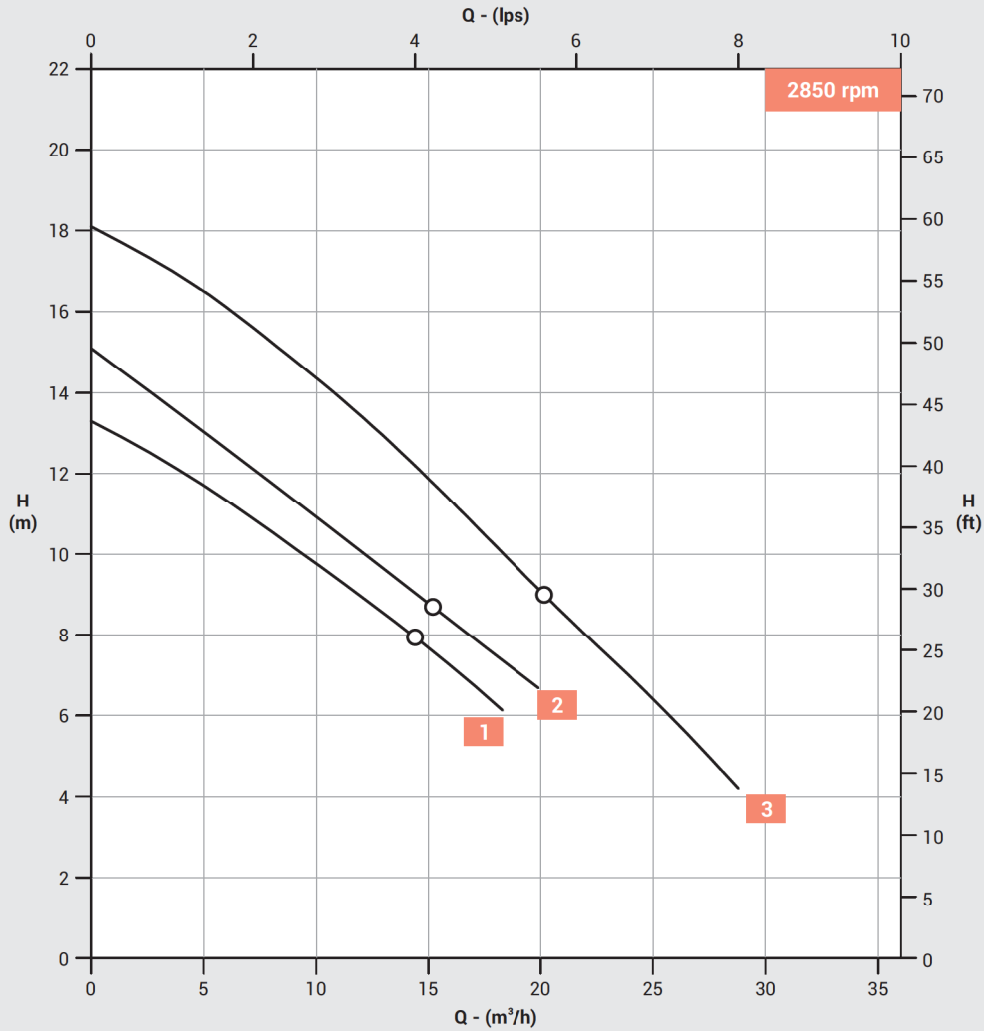
PERFORMANCE CURVES



PERFORMANCE TABLE

| No. | Model | Power in kW (P2) | Volt | Supply | Amp | Giri rpm | Delivery Size in mm | l/Sec m³/h | 0 | 1 | 2 | 3 | 4 | 5 | 6 |
|-----|---------------|------------------|------|--------|-----|----------|---------------------|----------------|------|-----|-----|------|------|----|------|
| | | | | | | | | | 0 | 3,6 | 7,2 | 10,8 | 14,4 | 18 | 21,6 |
| 1 | FSL-2V-05CS-A | 0.55 | 230 | 1Ph | 3 | 2850 | 40 | Head in meters | 7.2 | 6.3 | 5.3 | 4.4 | | | |
| 1 | FSL-2V-05CT | 0.55 | 400 | 3Ph | 2 | 2850 | | | 7.2 | 6.3 | 5.3 | 4.4 | | | |
| 2 | FSL-2V-07CS-A | 0.75 | 230 | 1Ph | 4.8 | 2850 | | | 12.1 | 9.9 | 8.4 | 7.3 | | | |
| 2 | FSL-2V-07CT | 0.75 | 400 | 3Ph | 1.5 | 2850 | | | 12.1 | 9.9 | 8.4 | 7.3 | | | |

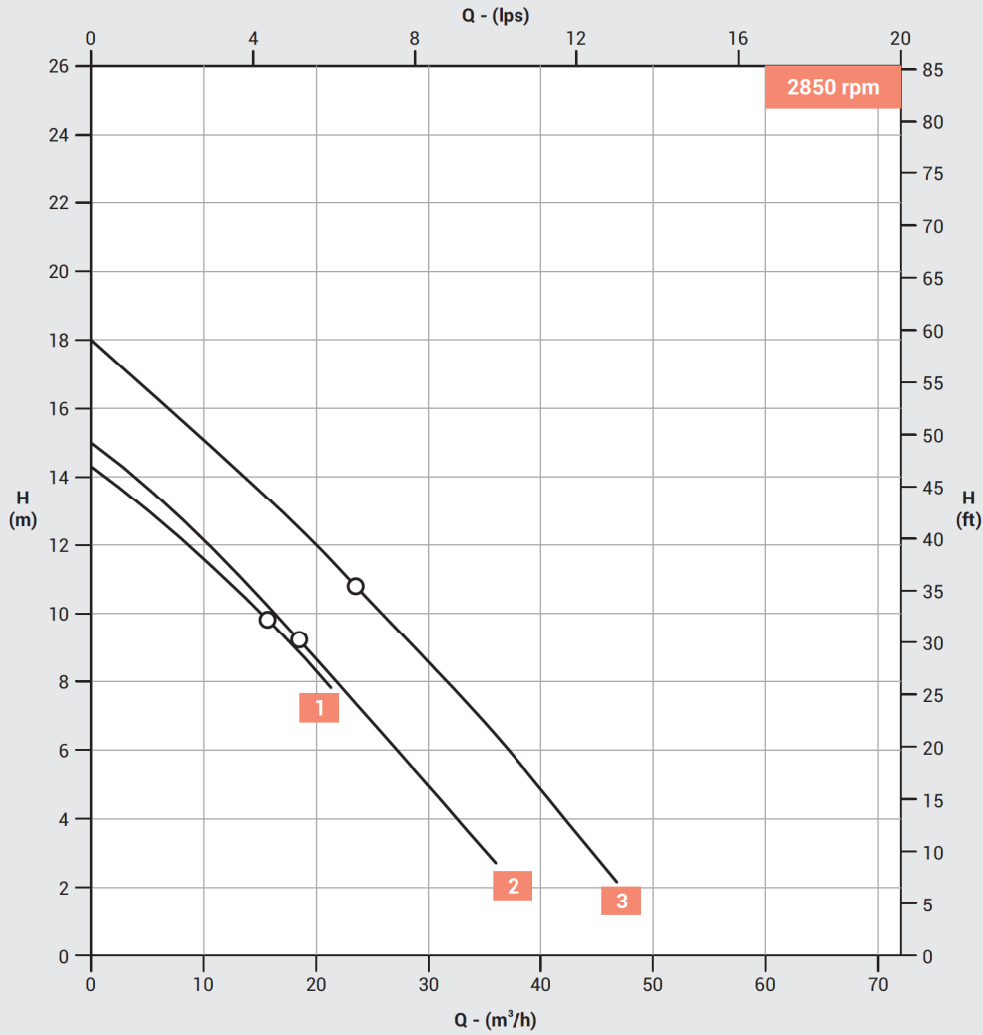
PERFORMANCE CURVES



PERFORMANCE TABLE

| No. | Model | Power in kW (P2) | Volt | Supply | Amp | Giri rpm | Delivery Size in mm | l/Sec m³/h | 0 | 1 | 2 | 3 | 4 | 5 | 6 | 7 | 8 | 9 |
|-----|---------------|------------------|------|--------|-----|----------|---------------------|----------------|------|------|------|------|------|------|------|------|------|------|
| | | | | | | | | | 0 | 3,6 | 7,2 | 10,8 | 14,4 | 18 | 21,6 | 25,2 | 28,8 | 32,4 |
| 1 | FSL-2V-07DS-A | 0.75 | 230 | 1Ph | 4.6 | 2850 | 50 | Head in meters | 13.3 | 12.2 | 10.8 | 9.3 | 7.9 | 6.2 | | | | |
| 1 | FSL-2V-07DT | 0.75 | 400 | 3Ph | 2.1 | 2850 | | | 13.3 | 12.2 | 10.8 | 9.3 | 7.9 | 6.2 | | | | |
| 2 | FSL-2V-15DS-A | 1.5 | 230 | 1Ph | 7.1 | 2850 | | | 15.1 | 13.6 | 12.1 | 10.5 | 9 | 7.4 | 6 | | | |
| 3 | FSL-2V-15DT | 1.5 | 400 | 3Ph | 3.1 | 2850 | | | 18.1 | 17 | 15.6 | 14 | 12 | 10.2 | 8.2 | 6.3 | 4.5 | |

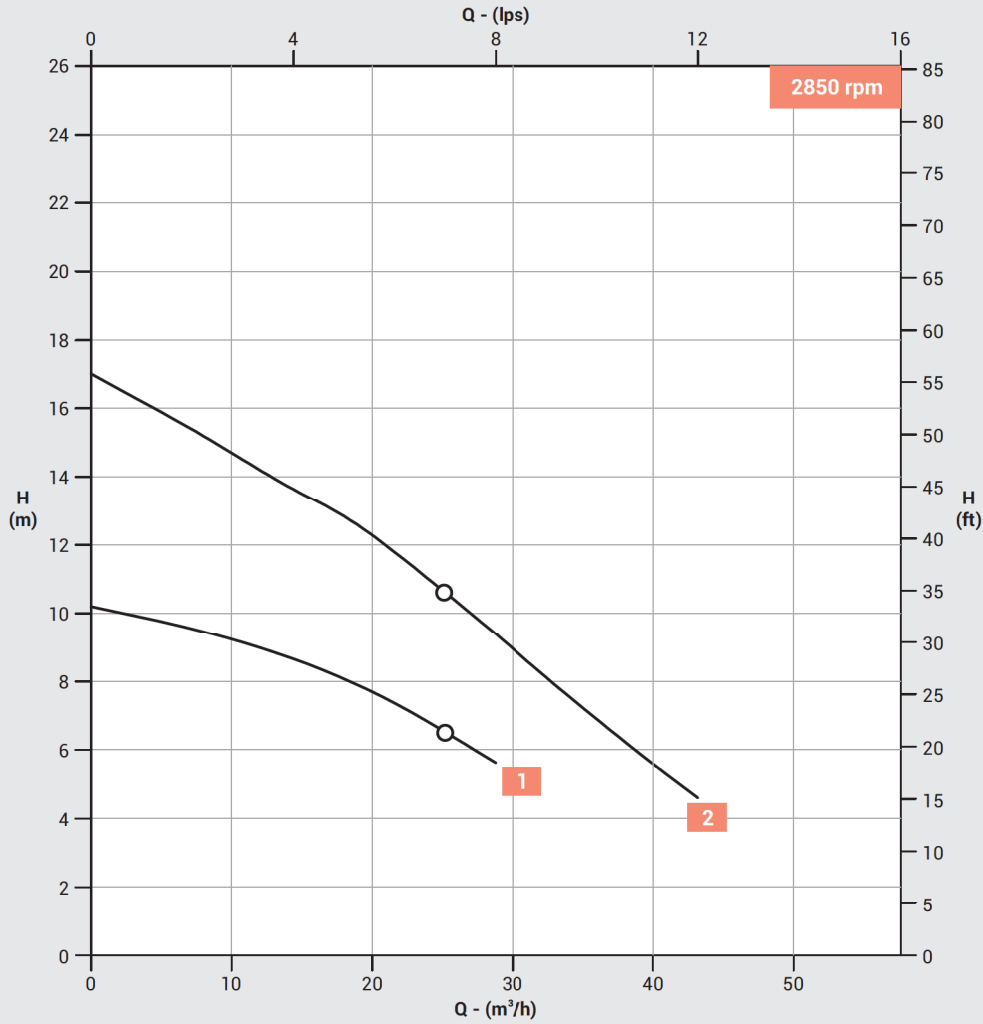
PERFORMANCE CURVES



PERFORMANCE TABLE

| No. | Model | Power in kW (P2) | Volt | Supply | Amp | Giri rpm | Delivery Size in mm | l/Sec m³/h | 0 | 2 | 4 | 6 | 8 | 10 | 12 | 14 | 16 | |
|-----|---------------|------------------|------|--------|-----|----------|---------------------|----------------|------|------|------|------|------|-----|------|------|------|--|
| | | | | | | | | | 0 | 7,2 | 14,4 | 21,6 | 28,8 | 36 | 43,2 | 50,4 | 57,6 | |
| 1 | FSL-2V-11DS-A | 1.1 | 230 | 1Ph | 7.5 | 2850 | 50 | Head in meters | 14.2 | 13.4 | 10.2 | 7.6 | | | | | | |
| 2 | FSL-2V-11DT | 1.1 | 400 | 3Ph | 3 | 2850 | | | 14.5 | 13 | 10.6 | 8.1 | 5.5 | 3 | | | | |
| 3 | FSL-2V-22DT | 2.2 | 400 | 3Ph | 4.4 | 2850 | | | 18 | 16 | 13.8 | 11.5 | 9 | 6.5 | 3.5 | | | |

PERFORMANCE CURVES



PERFORMANCE TABLE

| No. | Model | Power in kW (P2) | Volt | Supply | Amp | Giri rpm | Delivery Size in mm | l/Sec m³/h | 0 | 2 | 4 | 6 | 8 | 10 | 12 | 14 | 16 | 18 | 20 | | |
|-----|---------------|------------------|------|--------|-----|----------|---------------------|----------------|------|------|------|------|------|-----|------|------|------|------|----|--|--|
| | | | | | | | | | 0 | 7,2 | 14,4 | 21,6 | 28,8 | 36 | 43,2 | 50,4 | 57,6 | 64,8 | 72 | | |
| 1 | FSL-2V-11ES-A | 1.1 | 230 | 1Ph | 7.6 | 2850 | 65 | Head in meters | 10.2 | 9.5 | 8.6 | 7.3 | 5.6 | | | | | | | | |
| 2 | FSL-2V-11ET | 1.1 | 400 | 3Ph | 3 | 2850 | | | 10.2 | 9.5 | 8.6 | 7.3 | 5.6 | | | | | | | | |
| 2 | FSL-2V-22ET | 2.2 | 400 | 3Ph | 4.4 | 2850 | | | 17 | 15.4 | 13.6 | 11.8 | 9.4 | 6.9 | 4.6 | | | | | | |