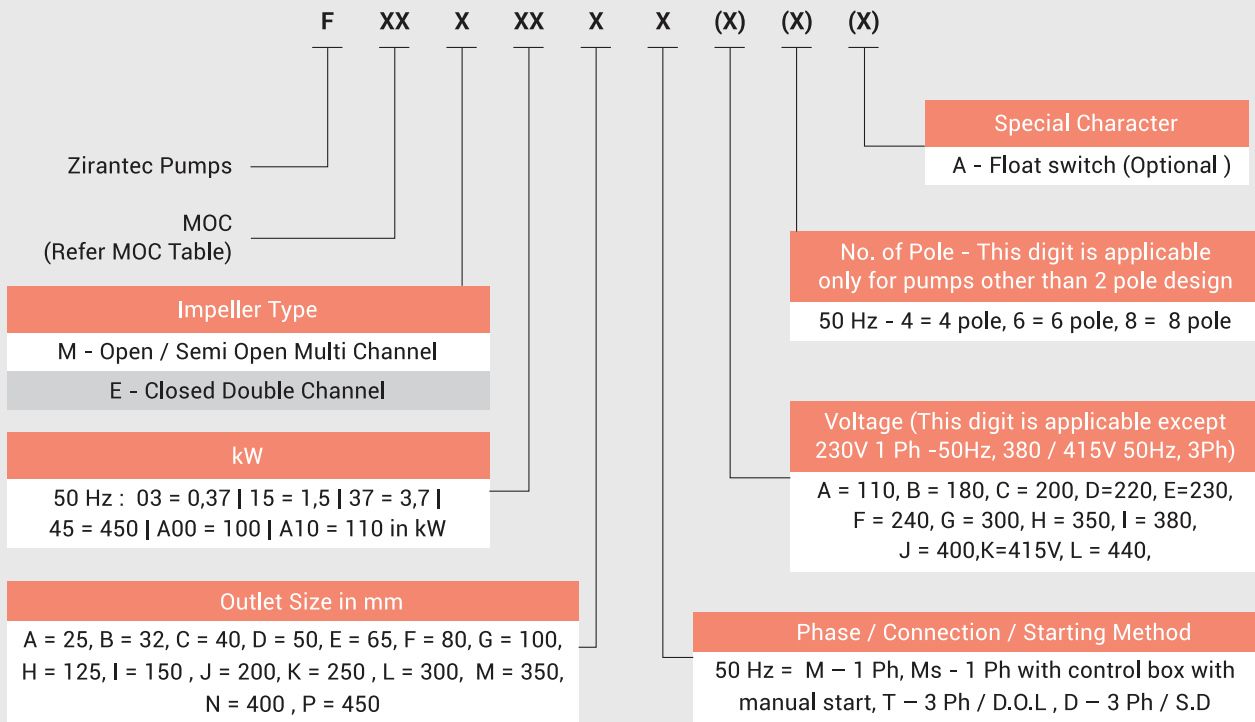


Dewatering Submersible Pumps

MODEL IDENTIFICATION CODE - FHRM SERIES



TECHNICAL SPECIFICATIONS

Power Range	0,8 to 5.6 kW
Version	0,8kW - 1Ph, 220V - 50Hz 1.2 to 5.6kW - 3 Ph, 415V / 525V - 50Hz
Class of Insulation	H Class
Degree of Protection	IP 68
Flow	upto 220 m ³ /h
Head	upto 60 Mtrs
Motor type	Dry-Types
Min cooling flow	0.15m/s
Solid Handling sizes	8 mm to 11.5 mm
Outlet sizes	2", 3", 4" & 6"

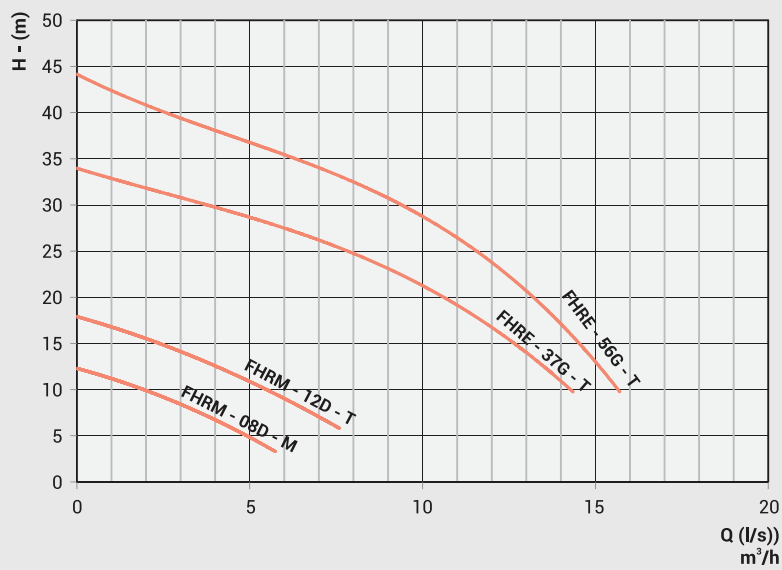
MATERIAL OF CONSTRUCTIONS

	NR	HR
Pump Casing	Aluminium	Aluminium
Pump Casing Liner	NBR	NBR
Impeller	Ni-Hard	Hi-Chrome
Motor Body	Aluminium	Aluminium
Motor Body Shell	S.S 304	S.S.304
Strainer	S.S 304	S.S.304

APPLICATIONS

- Dewatering in mining, construction site , flood control, etc.,
- Industrial drainage, waste water transfers, etc.,

Dewatering Submersible Pumps - FHRM Series



S. No.	Model	Pole	Power	Voltage / Phase	Impeller Type
1	FHRM - 08D - M	2	0.8 kW	220 V, Single Phase	Semi Open
2	FHRM - 12D - T	2	1.2 kW	415 V, Three Phase	Semi Open
3	FHRE - 37G - T	2	3.7 kW	415 V, Three Phase	Closed
4	FHRE - 56G - T	2	5.6 kW	415 V, Three Phase	Closed