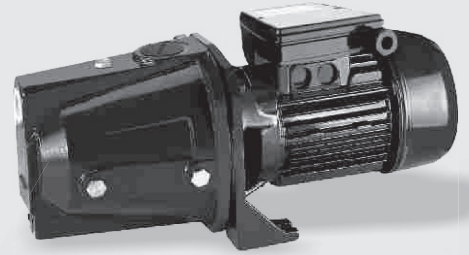


STAINLESS STEEL SELF-PRIMING JET PUMPS

FJT SERIES

SPECIFICATIONS

Power Range	: FJTS : 0,37 kW - 1,1 kW FJTb : 0,45 kW - 1,5 kW
Speed	: 2900 rpm
Degree of Protection	: FJTb : IP 44 FJTS : IP 54 / IP 55 (Optional)
Class of insulation	: "B" / "F"
Versions	: Single phase - 230V, 50Hz A.C. supply (Permanent Split Capacitor-PSC) Incorporated with thermal overload protector Three phase - 380-415V, 50Hz A.C. supply
Type of Duty	: S1 (Continuous)
Nominal Suction Size in mm	: 25 & 32
Nominal Delivery Size in mm	: 25



MATERIALS OF CONSTRUCTION

	FJTS	FJTb
Pump Casing	: S.S 304	Cast Iron
Motor Frame	: Aluminum	Aluminum
Impeller	: S.S 304	Bronze / Brass / Aluminium*
Shaft	: S.S 304	S.S 304
Mechanical Seal	: Carbon & Ceramic	Carbon & Ceramic

PUMP OPERATING LIMITS

Maximum Head	: 48 m
Maximum Suction lift	: upto 7 m
Maximum liquid Temperature	: 40°C
Maximum Ambient Temperature	: 50°C

FEATURES

- High operating efficiency resulting in lower power consumption.
- Dynamically balanced rotating parts.
- Inbuilt thermal overload protector in all single phase pumps.
- Quite Running
- FJTS pumps are with stainless steel pump parts-more suitable for potable water.

APPLICATIONS

Residential, Irrigation, Small Farms, Pressure Boosting Units, Utility water supply in Industries, Food Processing Industries.

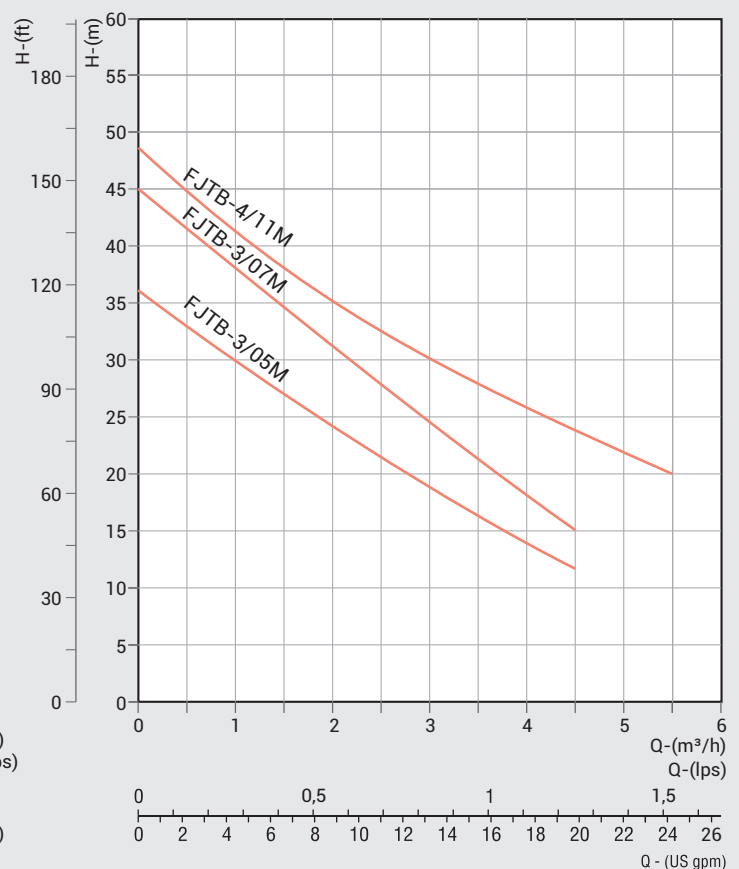
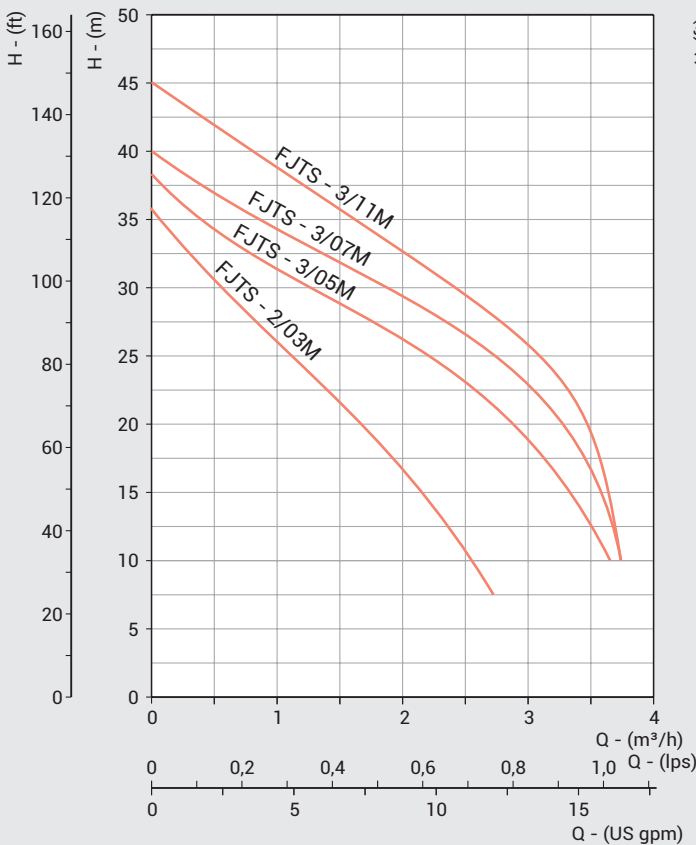
* For Aluminium impeller pump models the third digit of the model name will be replaced with "A".

PERFORMANCE CHART FJT SERIES

PUMP MODEL		MOTOR POWER		RATED CURRENT(A)		NOMINAL PUMP SIZE in Inches (Suc x Del)	DISCHARGE IN lps / m³/h								
							0	0,1	0,3	0,4	0,6	0,7	0,8	1,0	1,04
230V	380V	kW	HP	1Ph 230V	3Ph 380V		0	0,5	1	1,5	2	2,5	3	3,5	3,75
							TOTAL HEAD IN METRES								
FJTS-2/03M	FJTS-2/03T	0,37	0,5	3,1	0,93	1 x 1	36	31	26,5	21,5	17	11	7 (2,75m³/h)	-	-
FJTS-3/05M	FJTS-3/05T	0,55	0,75	4,3	1,49	1 x 1	38	34	31,5	28,5	26,5	23	18,5	12,5	10 (3,7m³/h)
FJTS-3/07M	FJTS-3/07T	0,75	1,0	4,5	1,63	1 x 1	40	37	34	32	29	26,5	23	17	10
FJTS-3/11M	FJTS-3/11T	1,1	1,5	5,3	2,65	1 x 1	45	42	38,5	36	32,5	29,5	26,5	19,5	10

PUMP MODEL		MOTOR POWER		RATED CURRENT(A)		NOMINAL PUMP SIZE in Inches (Suc x Del)	DISCHARGE IN lps / m³/h						
							0	0,3	0,6	0,8	1,1	1,4	1,6
230V	380V	kW	HP	1Ph 230V	3Ph 380V		0	1	2	3	4	5	6
							TOTAL HEAD IN METRES						
FJTB-3/05M	FJTB-3/05T	0,55	0,75	4,6	1	1" x 1"	36	32	24	19	14	12 (4,5m³/h)	-
FJTB-3/07M	FJTB-3/07T	0,75	1	5	1.6	1" x 1"	45	38	31,5	24,5	18	15 (4,5m³/h)	-
FJTB-4/11M	FJTB-4/11T	1,1	1,5	7,5	2	1¼" x 1"	48	41,5	35	30	26	22	20 (5,5m³/h)

DIMENSIONAL DRAWINGS

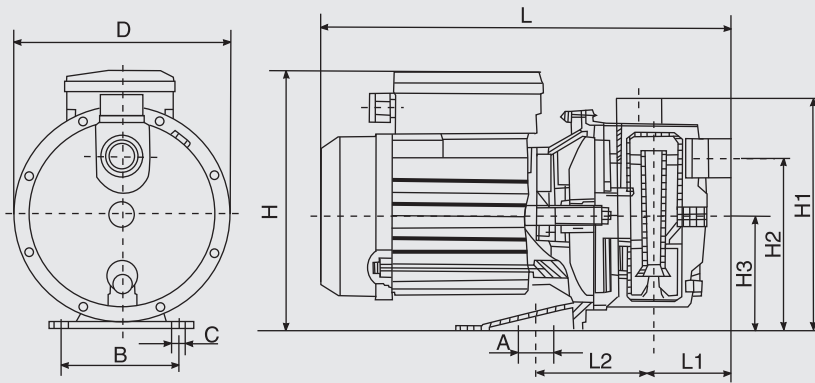


DIMENSIONAL DETAILS

FJTS SERIES

PUMP MODEL		MOTOR POWER		A	B	C	D	H	H1	H2	H3	L	L1	L2	APPROX. NETT WT in kg
230V	380V	kW	HP												
FJTS-2/03M	FJTS-2/03T	0,37	0,5	7	160	8	196	218	206	161	105	380	88	109	9
FJTS-3/05M	FJTS-3/05T	0,55	0,75	20	160	8	196	218	206	161	105	380	80	80	10
FJTS-3/07M	FJTS-3/07T	0,75	1,0	20	160	8	196	218	206	161	105	380	80	80	11
FJTS-3/11M	FJTS-3/11T	1,1	1,5	-	160	8	196	218	206	161	105	380	97	-	11,5

* All Dimensions are in mm.



FJTB SERIES

PUMP MODEL		MOTOR POWER		DND	DNS	DIMENSIONS IN mm									APPROX. NETT WT in kg
230V	380V	kW	HP			L	L1	L2	A	B	C	H1	H2	H	
FJTB-3/05M	FJTB-3/05T	0,55	0,75	1"	1"	440	140	235	181	140	10	100	158	213	15
FJTB-3/07M	FJTB-3/07T	0,75	1	1"	1"	395	112,5	133	182	142	10	97	152,5	210	15,5
FJTB-4/11M	FJTB-4/11T	1,1	1,5	1¼"	1"	395	112,5	133	182	142	10	97	152,5	210	16,5
FJTB-4/15M	FJTB-4/15T	1,5	2	1¼"	1"	530	160	285	200	160	10	120	165	240	16,5

* All Dimensions are in mm.

